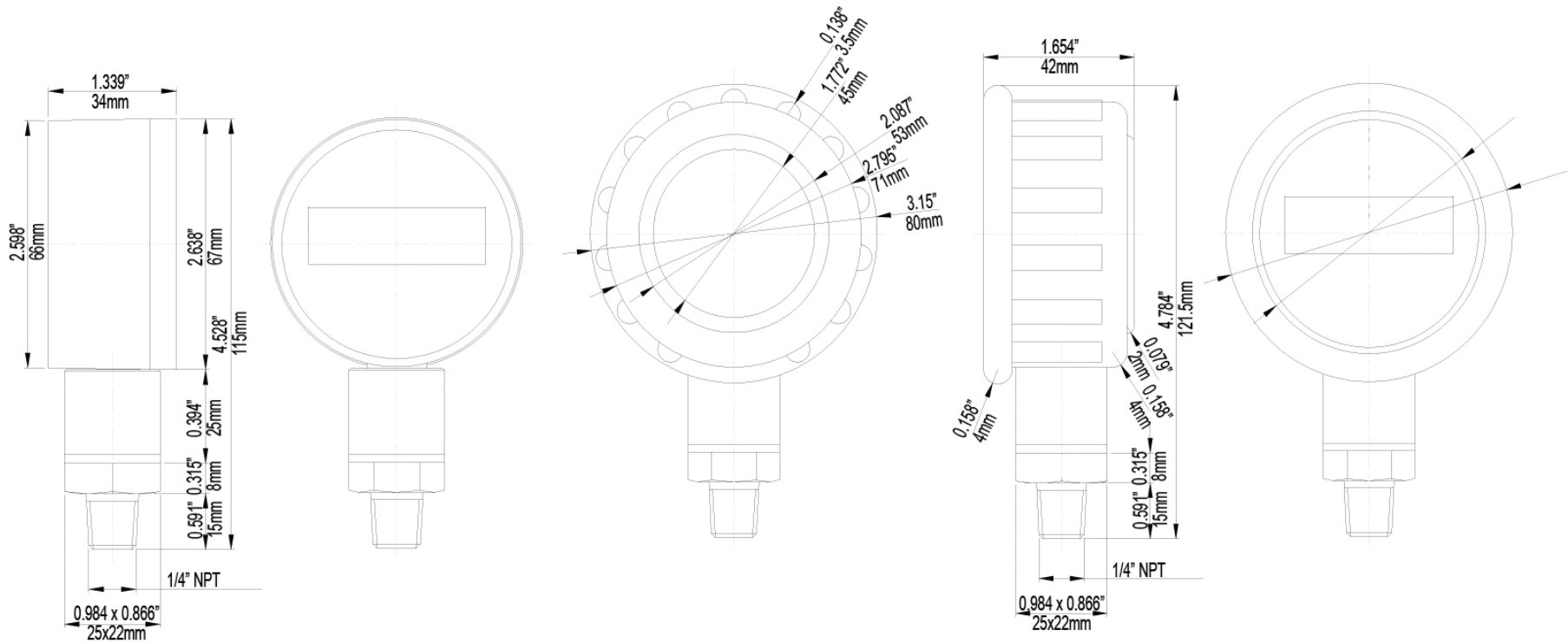


Rubber Boot: Silicone Rubber  
 Case Material: ABS plastic (IP64)  
 LCD Display: 2" x 3/4" (48mm x 16mm)  
 Sensor: 316L welded, Piezo  
 Socket: 304SS, 1/4"npt bottom connection  
 Operating Temperature: 14degF to 122degF (-10degc to 50 degC)  
 Storage Temperature: -4degF to 167degF (-20degF to 75degC)  
 Enclosure Rating: IP65  
 Accuracy: +/-1%



DPG SERIES  
without rubber cover

DPG SERIES  
with rubber cover



DRAWN BY: DAVID REAY

ENG. APPROVAL: DR

ALL DIMENSIONS IN INCHES/MM

TOLERANCES  
(unless otherwise stated)

|             |             |
|-------------|-------------|
| Fractional: | 1/64" 0.4mm |
| Decimal:    | 0.06" 1.5mm |

REVISION No AND DATE: SEPT 24 2013

TITLE:  
2.5" DIGITAL PRESSURE GAUGE

DRAWING NO: DPG SERIES