



### Description & Features:

- Simple 2 button operation
- Reset to zero feature
- Backlight turns on when on/off button is pressed
- Option for display to remain continuously on
- Continuous peak pressure indication option
- 316L welded diaphragm seal
- Rubber boot is standard
- ASME B40.100 compliant
- ±1% accuracy (±0.5% optional for gauges up to 5,000 psi)
- 1 year warranty

### Applications:

- Ideal for commercial and industrial application in both test measurement and general purpose installations.

### Specifications

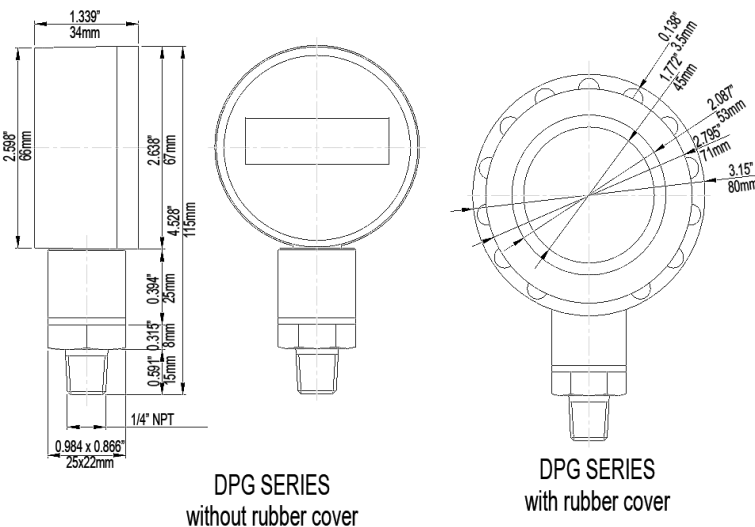
<b>Case Size</b>	2.5" (63mm)
<b>Case Material</b>	ABS
<b>Rubber Boot</b>	Silicone rubber
<b>LCD Display</b>	2" x 3/4" (48mm x 16mm)
<b>Connection</b>	1/4" NPT 304SS
<b>Sensor</b>	316L welded, Piezo
<b>Operating Life</b>	1 million cycles
<b>Power Supply</b>	2 x AAA battery (1.5V)
<b>Battery Life</b>	2 yrs (auto shut-off mode)
<b>Power Mode</b>	Auto or manual shut-off
<b>Display Digits</b>	4 digits to 5,000 psi 5 digits for 10,000 psi and 15,000 psi
<b>Pressure Unit Selection</b>	psi, mH <sub>2</sub> O, mmHg, mbar, kPa ranges ≤ 100 psi psi, bar, kg/cm <sup>2</sup> , MPa, atm ranges ≥ 160 psi
<b>Response Time</b>	≤ 3 Hz display refresh rate
<b>Proof / Burst Pressure</b>	200% / 300% FS
<b>Operating / Storage Temperature</b>	14°F to 122°F (-10°C to 50°C) -4°F to 167°F (-20°C to 75°C)
<b>Accuracy</b>	±1% (±0.5% optional for gauges up to 5,000 psi)
<b>Enclosure Rating</b>	IP60

### Order Codes (products in bold are normally stock in North America)

Dial Size	2.5" (63mm)
Connection	1/4" Bottom
Socket	SS
-15 psi Vac	<b>DPG210</b>
-15/0/15 psi	DPG203
-15/0/30 psi	DPG204
-15/0/60 psi	DPG205
-15/0/100 psi	DPG206
-15/0/150 psi	DPG207
-15/0/200 psi	DPG208
-15/0/300 psi	DPG209
0/15 psi	<b>DPG211</b>
0/30 psi	<b>DPG212</b>
0/60 psi	<b>DPG213</b>
0/100 psi	<b>DPG214</b>
0/160 psi	<b>DPG215</b>
0/200 psi	<b>DPG216</b>
0/300 psi	<b>DPG217</b>
0/600 psi	<b>DPG218</b>
0/1,000 psi	<b>DPG219</b>
0/1,500 psi	<b>DPG220</b>
0/2,000 psi	<b>DPG221</b>
0/3,000 psi	<b>DPG222</b>
0/5,000 psi	<b>DPG223</b>
0/10,000 psi	<b>DPG224</b>
0/15,000 psi	<b>DPG225</b>

### Option suffix:

5 = ±0.5% Accuracy (available on gauges up to 5,000 psi)



DPG SERIES  
without rubber cover

DPG SERIES  
with rubber cover