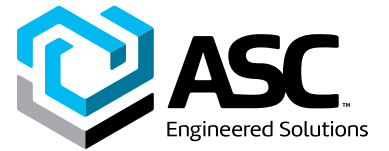


Building connections that last™



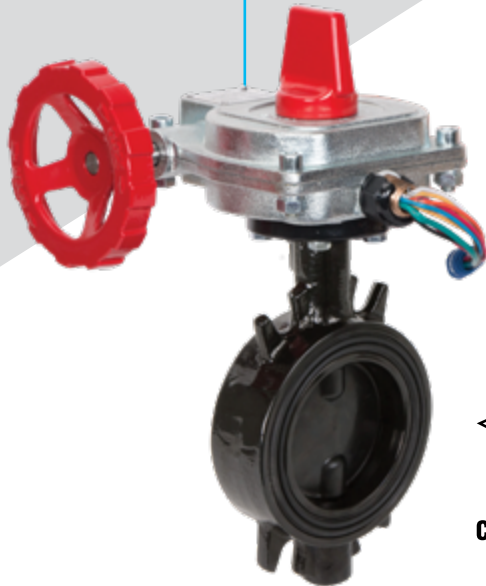
Series 67BFVWET

Wafer End Butterfly Valve with
Indicator Datasheet



Wafer End Butterfly Valve with Indicator

Fig. 67BFVWET

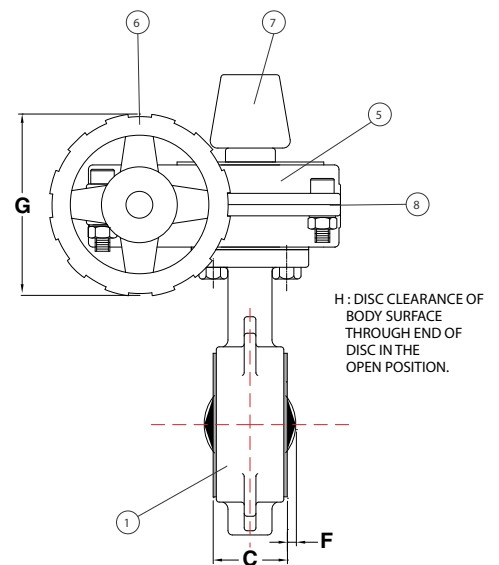
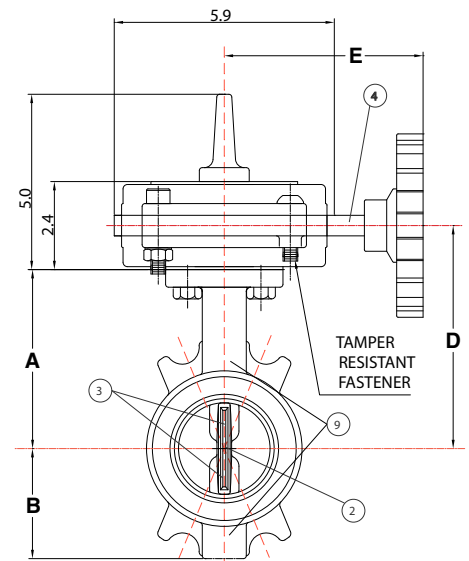


Design Features

- 300 psi
- UL/ULC listed
- FM approved
- California State fire marshall approval No. 7770-1740:100
- Factory installed replaceable double tamper switch
- Approved for indoor and outdoor use for installation between Class 125/150 flanges

Parts & Materials

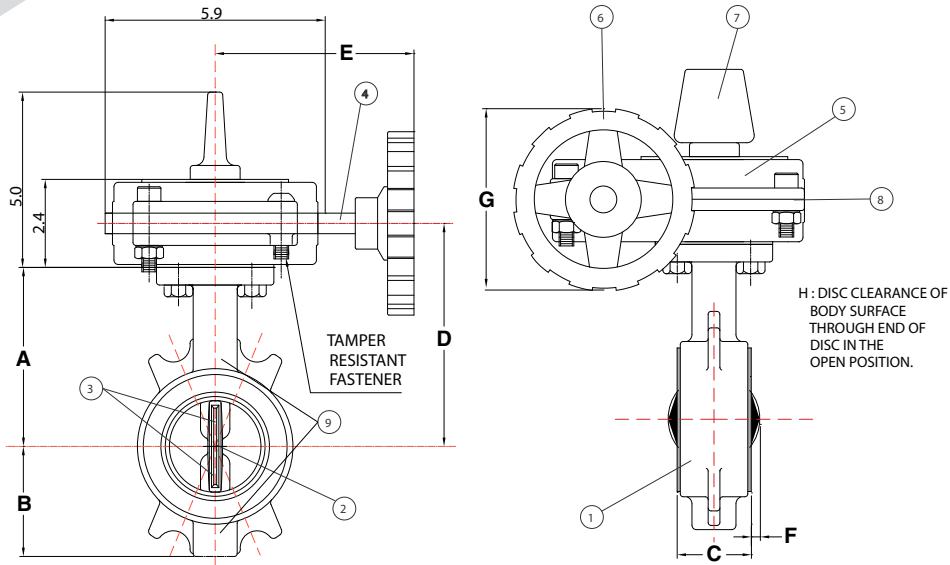
No.	Part	Material
1	Body	ASTM A-536 DI, Nylon-11 Coated
2	Disc	ASTM A-536 DI, EPDM Encapsulated
3	Upper and Lower Stems	AISI Type 420 Stainless Steel
4	Input Shaft	AISI Type 410 Stainless Steel
5	Gear Housing	ASTM A-536 Ductile Iron
6	Handwheel	ASTM A-536 Ductile Iron
7	Flag Indicator	ASTM A-536 Ductile Iron
8	Gear Housing Gasket	EPDM
9	O-Rings (all)	EPDM



asc-es.com

Building connections that last™

Wafer End Butterfly Valve
with Indicator
Fig. 67BFVWET



Dimensions

Pipe Size	Part Number	A	B	C	D	E	F	G	Weight
In./mm		In./mm	In./mm	In./mm	In./mm	In./mm	In./mm	In./mm	Lbs./kg
2½ 65	67BFVWET024	5.35 136	3.43 87	1.81 46	6.54 166	5.31 135	0.32 8.2	5.00 128	22.0 10.0
3 80	67BFVWET030	5.63 143	3.66 93	1.81 46	6.81 173	5.31 135	0.57 14.5	5.00 128	23.0 10.4
4 100	67BFVWET040	6.14 156	4.29 109	2.05 52	7.32 186	5.31 135	0.89 22.7	5.00 128	27.0 12.2
6 150	67BFVWET060	7.40 188	5.67 144	2.20 56	8.58 218	8.66 193	1.79 45.4	8.70 220	33.0 15.0
8 200	67BFVWET080	8.74 222	6.54 166	2.28 58	9.92 252	8.66 193	2.72 69.1	8.70 220	45.0 20.3

About ASC Engineered Solutions

ASC Engineered Solutions is defined by quality—in its products, services and support. With more than 1,400 employees, the company's portfolio of precision-engineered piping support, valves and connections provides products to more than 4,000 customers across industries, such as mechanical, industrial, fire protection, oil and gas, and commercial and residential construction. Its portfolio of leading brands includes ABZ Valve®, AFCON®, Anvil®, Anvil EPS, Anvil Services, Basic-PSA, Beck®, Catawissa, Cooplet®, FlexHead®, FPPI®, Gruklok®, J.B. Smith, Merit®, North Alabama Pipe, Quadrant®, SCI®, Sharpe®, SlideLOK®, SPF® and SprinkFLEX®. With headquarters in Commerce, CA, and Exeter, NH, ASC also has ISO 9001:2015 certified production facilities in PA, TN, IL, TX, AL, LA, KS, and RI.



asc-es.com

Building connections that last™

FC-DS-SERIES-67BFVWET-v01 20210817

