

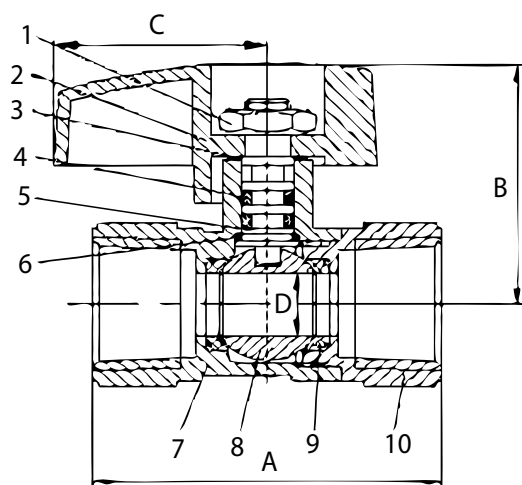


Series 0190200

STRAIGHT GAS BALL VALVE, FIP x FIP



- Two piece
- Forged brass body
- CSA 3-88 5 psig, Z21.15a 1/2 psig
- ASME B16.33
- Fed. spec. WW-V-35, Type II Class A Style 3
- ISO 9001:2008 Manufacturer



No.	Part	Material
1	Nut	Forged Steel ASTM-AISI-1010
2	Handle	Aluminium, Red Enamel
3	Washer	PTFE
4	O-Ring	NBR
5	Stem	Forged Brass ASTM B-124, C37700
6	Washer	PTFE
7	Body	Forged Brass ASTM B-124, C37700
8	Ball	Chrome Plated, Brass ASTM B-16, C37700
9	Seat Rings	PTFE
10	Body End Cap	Forged Brass ASTM B-124
8	Handle	410 Stainless Steel
9	Fixing Screw	Alloy Steel
10	Disc	316 Stainless Steel

Size IN	Part Number	Weight LB	A IN	B IN	C IN	D IN
3/8	0190200E	0.3	1.77	1.48	1.26	0.39
1/2	0190200G	0.3	2.13	1.50	1.26	0.39
3/4	0190200I	0.5	2.44	1.63	1.26	0.55
1	0190200K	0.9	3.13	1.86	1.26	0.94

USA 800-766-0076

Fax 323-890-4456

www.smithcooper.com

Los Angeles, CA

Chicago, IL

Atlanta, GA

Vancouver, WA

Houston, TX

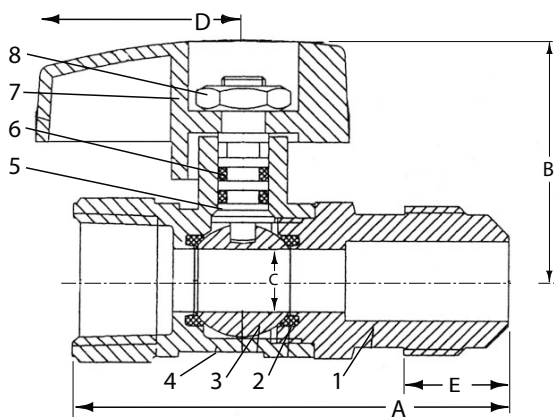


Series 0190230

BRASS GAS BALL VALVE, FLARE X FIP



- Two piece
- Forged brass body
- CSA 3-88 5 psig, Z21.15a 1/2 psig
- ASME B16.33
- Fed. spec. WW-V-35, Type II Class A Style
- ISO 9001:2008 Manufacturer



No.	Part	Material
1	Body	ASTM B-124 86C 37700
2	Washer	NBR
3	Ball	Brass
4	Washer	Fasit 205
5	Bonnet	ASTM B-124 86C 37700
6	Washer	ASTM B-124 86C 37700
7	O-Ring	NBR
8	Wire	Bronze
9	Handle	Aluminium
10	Screw	C18 Boro

Size IN	Part Number	Weight LB	A IN	B IN	C IN	D IN	E IN
1/2 x 3/8	0190230GE	0.4	2.48	1.50	0.39	1.26	0.53
1/2 x 1/2	0190230GG	0.4	2.68	1.50	0.39	1.26	0.70
1/2 x 5/8	0190230GH	0.4	2.80	1.60	0.55	1.26	0.74
3/4 x 5/8*	0190230IH	0.5	2.99	1.60	0.55	1.26	0.79

USA 800-766-0076

Fax 323-890-4456

www.smithcooper.com

Los Angeles, CA

Chicago, IL

Atlanta, GA

Vancouver, WA

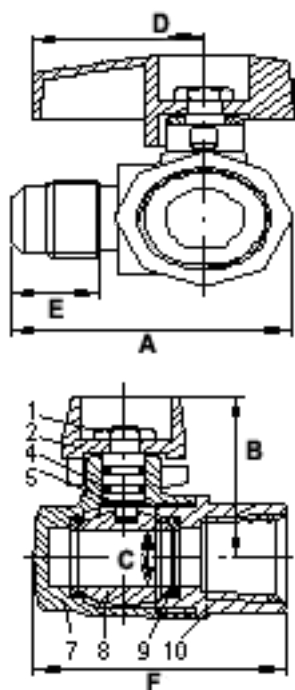
Houston, TX



ANGLED BRASS GAS BALL VALVE, FIP x FLARE



- Two piece
- Forged brass body
- CSA 3-88 5 psig, Z21.15a 1/2 psig
- ASME B16.33
- Fed. spec. WW-V-35, Type II Class A Style 3
- ISO 9001:2008 Manufacturer



No.	Part	Material
1	Nut	Forged Steel ASTM-AISI-1010
2	Handle	Aluminium, Red Enamel
3	Washer	PTFE
4	O-Ring (2)	NBR
5	Stem	Forged Brass ASTM B-124, C37700
6	Washer	PTFE
7	Body	Forged Brass ASTM B-124, C37700
8	Ball	Chrome Plated ASTM B-16, C37700
9	Seat Rings (2)	PTFE
10	Body End Cap	Forged Brass ASTM B-124, C37700

Size IN	Part Number	Weight LB	A IN	B IN	C IN	D IN	E IN	F IN
1/2 x 3/8	0190235GE	0.33	2.48	1.50	0.39	1.26	0.50	1.90
1/2 x 1/2	0190235GG	0.47	2.68	1.50	0.39	1.26	0.70	2.08
3/4 x 5/8*	0190235IH	0.57	2.99	1.60	0.55	1.26	0.79	2.22

USA 800-766-0076

Fax 323-890-4456

www.smithcooper.com

Los Angeles, CA

Chicago, IL

Atlanta, GA

Vancouver, WA

Houston, TX

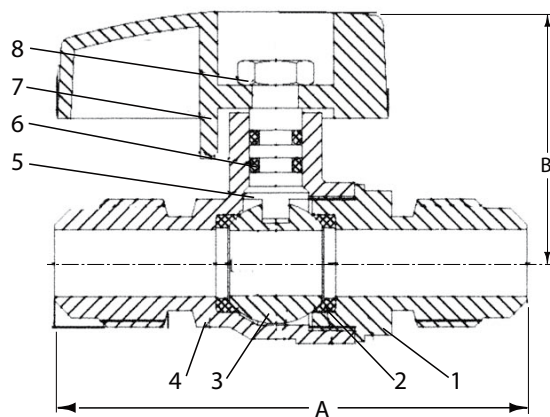


Series 0190236

BRASS GAS BALL VALVE, FLARE X FLARE



- Two piece
- Forged brass body
- CSA 3-88 5 psig, Z21.15a 1/2 psig
- ASME B16.33
- Fed. spec. WW-V-35, Type II Class A Style 3
- ISO 9001:2008 Manufacturer



No.	Part	Material
1	Nut	Forged Steel ASTM-AISI-1010
2	Handle	Aluminium, Red Enamel
3	Washer	PTFE
4	O-Ring (2)	NBR
5	Stem	Forged Brass ASTM B-124, C37700
6	Washer	PTFE
7	Body	Forged Brass ASTM B-124, C37700
8	Ball	Chrome Plated ASTM B-16, C37700
9	Seat Rings (2)	PTFE
10	Body End Cap	Forged Brass ASTM B-124, C37700

Size IN	Part Number	Weight LB	A IN	B IN
3/8	0190236EE	0.35	2.50	1.22
1/2	0190236GG	0.37	2.60	1.22

USA 800-766-0076

Fax 323-890-4456

www.smithcooper.com

Los Angeles, CA

Chicago, IL

Atlanta, GA

Vancouver, WA

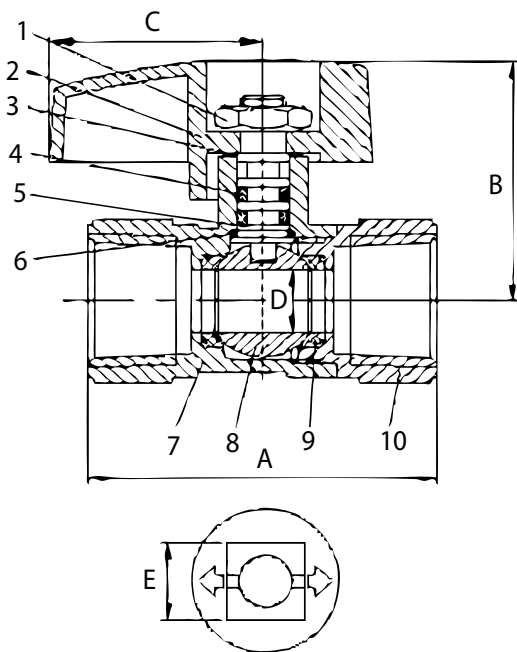
Houston, TX



BRASS GAS BALL VALVE, FIP x FIP



- Two piece
- Forged brass body
- CSA 3-88 5 psig, Z21.15a 1/2 psig
- ASME B16.33
- Fed. spec. WW-V-35, Type II Class A Style 3
- ISO 9001:2008 Manufacturer



No.	Part	Material
1	Nut	Forged Steel ASTM-AISI-1010 Die Chromplated
2	Handle	Aluminium, Red Enamel
3	Washer	PTFE
4	O-Ring	NBR
5	Stem	Forged Brass ASTM B-124, C37700
6	Washer	PTFE
7	Body	Forged Brass ASTM B-124, C37700
8	Ball	Chrome Plated, Brass ASTM B-16 C37700
9	Seat Rings (2)	PTFE
10	Body End Cap	Forged Brass ASTM B-124, C37700

Size IN	Part Number	Weight LB	A IN	B IN	D IN	E IN
1/2	0190250G	0.4	2.13	1.63	0.39	0.48
3/4	0190235GG	0.59	2.44	1.74	0.55	0.48

USA 800-766-0076

Fax 323-890-4456

www.smithcooper.com

Los Angeles, CA

Chicago, IL

Atlanta, GA

Vancouver, WA

Houston, TX