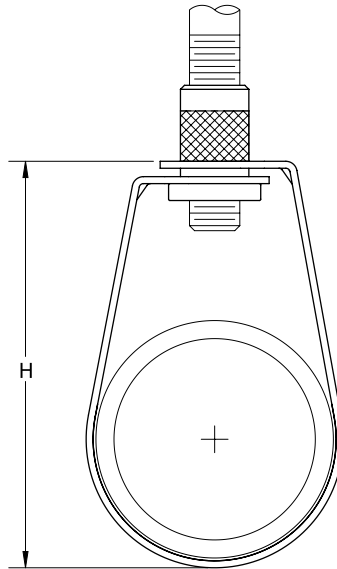


Light Duty Copper Ring Hanger Fig. 010CTG



Size Range: ½" through 6"

Material: Carbon Steel

Finish: Epoxy coated

Service: Recommended for the suspension of stationary copper tube.

Maximum Temperature: 450° F

Approvals: MSS SP-58 (Type-10)

Ordering: Nominal pipe size and figure number.

Notes:

- For U.S. domestic product see ASC Fig. CT-69.



Fig. 010CTG: Dimensions (in) Loads (lbs) • Rod Size (in) • Height (in)

Pipe Size	Max Load	Rod Size	H (Overall Height)
½	150	⅜	2 ⁵ / ₁₆
¾	150	⅜	2 ⁹ / ₁₆
1	150	⅜	2 ⁵ / ₁₆
1¼	150	⅜	2 ¹³ / ₁₆
1½	150	⅜	3¼
2	150	⅜	3½
2½	150	⅜	4 ¹ / ₁₆
3	200	⅜	5¼
4	250	⅜	6 ⁹ / ₁₆
6	480	½	8 ¹ / ₁₆

PROJECT INFORMATION	APPROVAL STAMP
Project:	Approved
Address:	Approved as noted
Contractor:	Not approved
Engineer:	Remarks:
Submittal Date:	
Notes 1:	
Notes 2:	