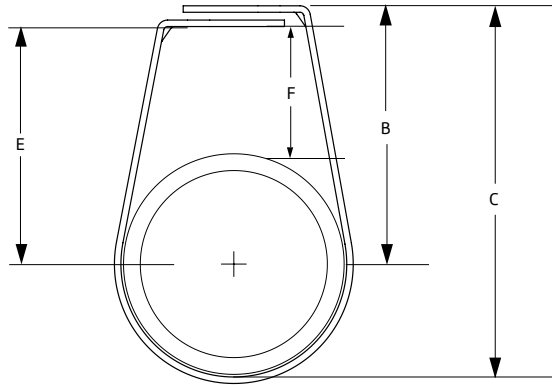


Light Duty Stainless Steel Band Hanger Fig. 69SSG



Size Range: ½" through 8" NPS

Material: 316 Stainless Steel

Service: Recommended for the suspension of stationary steel pipe.

Maximum Temperature: 650° F

Approvals: MSS SP-58 (Type-10)

Installation: Supplied with two stainless steel hex nuts.

Ordering: Nominal pipe size, rod diameter, figure number and name.

Notes:

- For U.S. domestic product contact ASC Engineered Solutions™ for a quote.



Fig. 69SSG: Dimensions (in) • Loads (lbs) • Rod Size (in)

Pipe Size	Max load	Steel Size	Rod Size A	NFPA Rod Size A	B	C	Rod Take-Out E	Adjustment F
½	610	16GA X 1	¾	¾	1 ¹³ / ₁₆	2 ¹⁵ / ₁₆	1 ¹ / ₈	1
¾	610	16GA X 1	¾	¾	2 ¹ / ₁₆	2 ⁵ / ₈	1 ⁵ / ₁₆	1
1	610	16GA X 1	¾	¾	2 ³ / ₁₆	2 ⁷ / ₈	1 ⁷ / ₁₆	1
1¼	610	16GA X 1	¾	¾	2 ⁹ / ₁₆	3 ⁷ / ₁₆	1 ¹³ / ₁₆	1¼
1½	610	16GA X 1	¾	¾	2¾	3 ¹¹ / ₁₆	1 ¹⁵ / ₁₆	1¼
2	610	1/8 X 1	¾	¾	3	4 ³ / ₁₆	2 ³ / ₁₆	1¼
2½	970	1/8 X 1	½	¾	3 ⁷ / ₈	5 ⁵ / ₁₆	3	1¾
3	970	1/8 X 1	½	¾	4¼	6	3 ⁵ / ₁₆	1¾
3½	970	1/8 X 1	½	¾	4½	6½	3 ⁹ / ₁₆	1¾
4	1250	1/8 X 1¼	5/8	¾	4 ⁷ / ₈	7 ¹ / ₈	3 ¹³ / ₁₆	1¾
5	1250	1/8 X 1¼	5/8	½	5 ¹¹ / ₁₆	8 ⁷ / ₁₆	4 ⁵ / ₈	2
6	1600	1/8 X 1½	¾	½	6 ³ / ₈	9 ¹¹ / ₁₆	5 ³ / ₁₆	2
8	1800	3/16 X 1½	7/8	½	7 ⁹ / ₁₆	11 ⁷ / ₈	6 ³ / ₁₆	2

PROJECT INFORMATION	APPROVAL STAMP
Project:	Approved
Address:	Approved as noted
Contractor:	Not approved
Engineer:	Remarks:
Submittal Date:	
Notes 1:	
Notes 2:	