

## Series 0190100

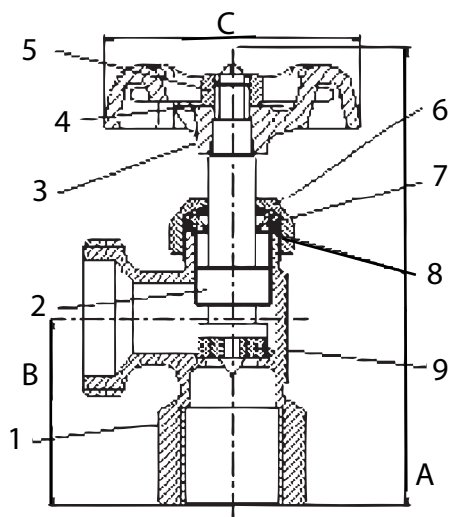
# BRASS BOILER DRAIN, FIP



- 125 lb. CWP
- NPT x 3/4" NHT
- Cast brass
- Cast iron handle

**Note:** Product contains brass which does not meet federal and state requirements for drinking water.

**!** **WARNING:** Cancer and Reproductive Harm - [www.P65Warnings.ca.gov](http://www.P65Warnings.ca.gov)



No.	Part	Material
1	Body	Cast Brass ASTM B-584, C85700
2	Stem	Cast Brass ASTM B-584, C85700
3	Handle	Cast Iron ASTM A48 Class/No. 35
4	Name Plate	Aluminium ASTM B209-1100
5	Packing Nut	Brass ASTM B-124, C37700
6	Packing Washer	Rubber (NBR)
7	Washer	Stainless Steel 304
8	Bibb Washer	Rubber (NBR)

Size IN	Part Number	Weight LB	A IN	B IN	C IN
1/2	0190100G	0.42	3.23	1.34	2.00
3/4	0190100I	0.47	3.23	1.34	2.00

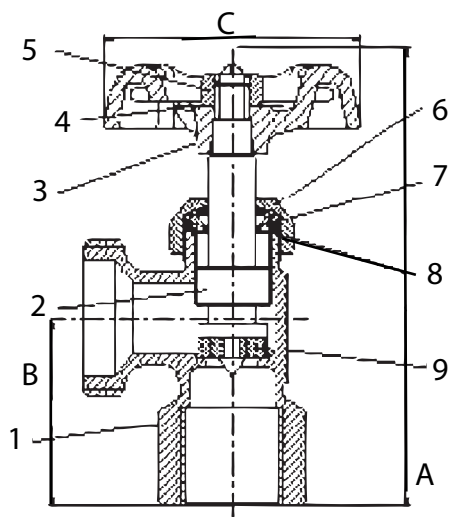
BRASS BOILER DRAIN, MIP



- 125 lb. CWP
- NPT x 3/4" NHT
- Cast brass
- Cast iron handle

**Note:** Product contains brass which does not meet federal and state requirements for drinking water.

**WARNING:** Cancer and Reproductive Harm - [www.P65Warnings.ca.gov](http://www.P65Warnings.ca.gov)



No.	Part	Material
1	Body	Cast Brass ASTM B-584, C85700
2	Stem	Cast Brass ASTM B-584, C85700
3	Handle	Cast Iron ASTM A48 Class/No. 35
4	Name Plate	Aluminium ASTM B209-1100
5	Packing Nut	Brass ASTM B-124, C37700
6	Packing Washer	Rubber (NBR)
7	Washer	Stainless Steel 304
8	Bibb Washer	Rubber (NBR)

USA 800-766-0076

Fax 323-890-4456

[www.smithcooper.com](http://www.smithcooper.com)

Los Angeles, CA

Chicago, IL

Atlanta, GA

Vancouver, WA

Size IN	Part Number	Weight LB	A IN	B IN	C IN
1/2	0190101G	0.42	3.23	1.34	2.00
3/4	0190101I	0.47	3.23	1.34	2.00