



3000# FORGED STAINLESS STEEL PIPE FITTINGS

NPT THREADED

Specifications:

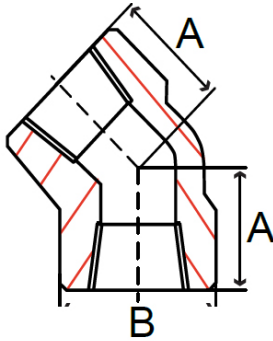
- Forged stainless steel material conforms to ASTM A182 grade F304/304L - F316/316L
- Forged stainless steel fitting dimensions conform to ASME B16.11
- NPT threads conform to ASME B1.20.1
- Socket weld fittings conform to ASME B16.11
- Forged stainless union conform to MSS SP-83
- Forged stainless outlets conform to MSS SP-97
- Forged stainless socket weld inserts conform to MSS SP-79
- Manufacturing facility is ISO 9001:2008
- MTRS and COC are available

- 45 Degree Elbows
- 90 Degree Elbows
- 90 Degree Street Elbows
- Caps
- Crosses
- Full Couplings
- Half Couplings
- Hex Bushings
- Hex Head Plugs
- Reducing Couplings
- Reducing Tees
- Square Head Plugs
- Tees
- Unions

3000# FORGED STAINLESS STEEL PIPE FITTINGS

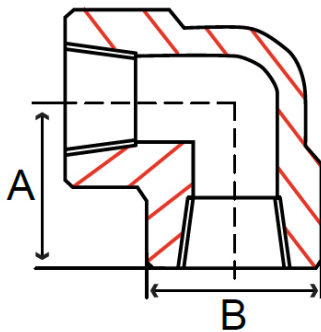
BUYFITTINGSONLINE.COM | 1.800.569.0810 | BFO@QMCTECHNOLOGIES.COM

45° Elbows - 3000# Forged Stainless Steel Threaded



Size (inches)	A	B	Weight (lbs)	304SS	316SS
1/8"	0.66	0.86	0.2	3005-A	3022-M
1/4"	0.75	1.00	0.2	3005-B	3022-N
3/8"	0.88	1.31	0.5	3005-C	3022-O
1/2"	1.00	1.50	0.7	3005-D	3022-P
3/4"	1.12	1.81	1.2	3005-E	3022-Q
1"	1.31	2.19	2.0	3005-F	3022-R
1-1/4"	1.38	2.44	2.2	3005-G	3022-S
1-1/2"	1.69	2.97	4.5	3005-H	3022-T
2"	1.72	3.31	4.9	3005-I	3022-U
2-1/2"	2.06	4.00	8.1	3005-J	3022-V
3"	2.50	4.75	13.1	3005-K	3022-W
4"	3.12	6.00	19.7	3005-L	3022-X

90° Elbows - 3000# Forged Stainless Steel Threaded



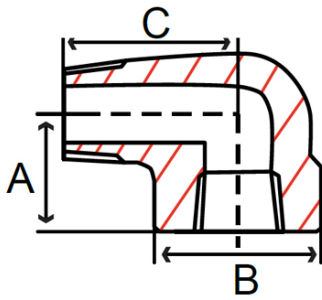
Size (inches)	A	B	Weight (lbs)	304SS	316SS
1/8"	0.81	0.88	0.2	3001-A	3018-M
1/4"	0.97	1.00	0.7	3001-B	3018-N
3/8"	1.12	1.31	0.6	3001-C	3018-O
1/2"	1.31	1.50	0.9	3001-D	3018-P
3/4"	1.50	1.81	1.5	3001-E	3018-Q
1"	1.75	2.19	2.2	3001-F	3018-R
1-1/4"	2.00	2.44	3.1	3001-G	3018-S
1-1/2"	2.38	2.97	4.8	3001-H	3018-T
2"	2.50	3.31	5.4	3001-I	3018-U
2-1/2"	3.25	4.00	13.2	3001-J	3018-V
3"	3.75	4.75	19.5	3001-K	3018-W
4"	4.50	6.00	32.7	3001-L	3018-X

**All dimensions are for reference only and subject to change.

3000# FORGED STAINLESS STEEL PIPE FITTINGS

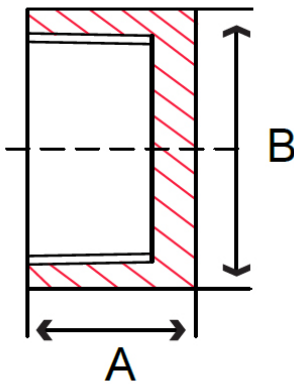
BUYFITTINGSONLINE.COM | 1.800.569.0810 | BFO@QMCTECHNOLOGIES.COM

90° Street Elbows - 3000# Forged Stainless Steel Threaded



Size (inches)	A	B	C	Weight (lbs)	304/L SS	316/L SS
1/8"	0.75	0.75	1.25	0.2	3004-A	3021-M
1/4"	0.88	1.00	1.25	0.2	3004-B	3021-N
3/8"	1.00	1.25	1.50	0.5	3004-C	3021-O
1/2"	1.12	1.50	1.69	0.7	3004-D	3021-P
3/4"	1.38	1.75	1.94	1.2	3004-E	3021-Q
1"	1.75	2.00	2.31	2.0	3004-F	3021-R
1-1/4"	2.00	2.44	2.69	2.2	3004-G	3021-S
1-1/2"	2.12	2.75	2.81	4.5	3004-H	3021-T
2"	2.50	3.31	3.38	4.9	3004-I	3021-U

Caps - 3000# Forged Stainless Steel Threaded



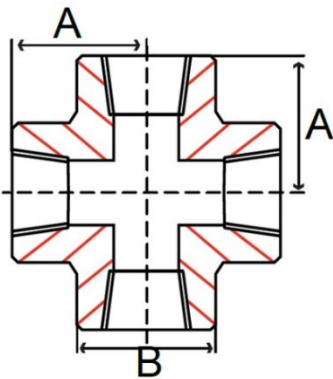
Size (inches)	A	B	Weight (lbs)	304L/SS	316L/SS
1/8"	0.75	0.62	0.05	3012-A	3029-M
1/4"	1	0.75	0.1	3012-B	3029-N
3/8"	1	0.88	0.1	3012-C	3029-O
1/2"	1.25	1.12	0.2	3012-D	3029-P
3/4"	1.44	1.38	0.3	3012-E	3029-Q
1"	1.62	1.75	0.8	3012-F	3029-R
1-1/4"	1.75	2.25	1.3	3012-G	3029-S
1-1/2"	1.75	2.5	1.5	3012-H	3029-T
2"	1.88	3	2.4	3012-I	3029-U
5-1/2"	2.38	3.62	4.8	3012-J	3029-V
3"	2.56	4.25	7.7	3012-K	3029-W
4"	2.69	5.5	10.6	3012-L	3029-X

*All dimensions are for reference only and subject to change.

3000# FORGED STAINLESS STEEL PIPE FITTINGS

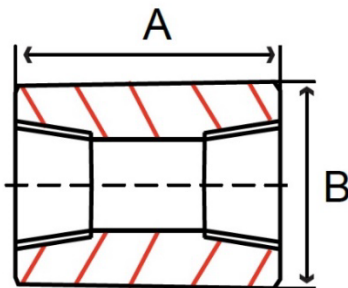
BUYFITTINGSONLINE.COM | 1.800.569.0810 | BFO@QMCTECHNOLOGIES.COM

Crosses - 3000# Forged Stainless Steel Threaded Pipe Fittings



Size (inches)	A	B	Weight (lbs)	304/L SS	316/L SS
1/8"	0.81	0.88	0.4	3003-A	3020-M
1/4"	0.97	1	0.5	3003-B	3020-N
3/8"	1.12	1.31	0.9	3003-C	3020-O
1/2"	1.31	1.5	1.4	3003-D	3020-P
3/4"	1.5	1.81	2.5	3003-E	3020-Q
1"	1.75	2.19	3.5	3003-F	3020-R
1-1/4"	2	2.44	4.1	3003-G	3020-S
1-1/2"	2.38	2.97	6.5	3003-H	3020-T
2"	2.5	3.31	8.1	3003-I	3020-U

Full Couplings - 3000# Forged Stainless Steel Threaded



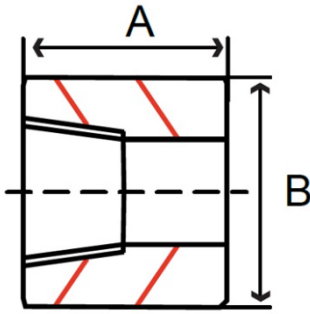
Size (inches)	A	B	Weight (lbs)	304/LSS	316/LSS
1/8"	0.79	0.55	0.04	3015-A	3032-M
1/4"	1.06	0.73	0.07	3015-B	3032-N
3/8"	1.1	0.85	0.07	3015-C	3032-O
1/2"	1.4	1.05	0.16	3015-D	3032-P
3/4"	1.48	1.25	0.19	3015-E	3032-Q
1"	1.69	1.56	0.37	3015-F	3032-R
1-1/4"	1.89	1.91	0.53	3015-G	3032-S
1-1/2"	1.89	2.17	0.65	3015-H	3032-T
2"	2.2	2.62	0.99	3015-I	3032-U
2-1/2"	2.56	3.33	2.07	3015-J	3032-V
3"	2.8	3.96	2.77	3015-K	3032-W
4"	3.27	5.1	5.11	3015-L	3032-X

**All dimensions are for reference only and subject to change.

3000# FORGED STAINLESS STEEL PIPE FITTINGS

BUYFITTINGSONLINE.COM | 1.800.569.0810 | BFO@QMCTECHNOLOGIES.COM

Half Couplings - 3000# Forged Stainless Steel Threaded



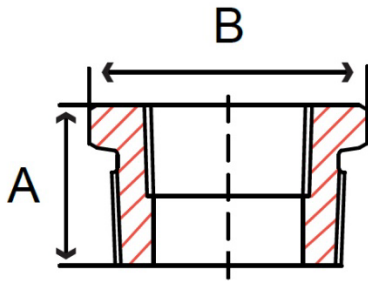
Size (inches)	A	B	Weight (lbs)	304L/SS	316L/SS
1/8"	0.62	0.62	0.04	3017-A	3034-M
1/4"	0.69	0.75	0.04	3017-B	3034-N
3/8"	0.75	0.88	0.06	3017-C	3034-O
1/2"	0.94	1.12	0.1	3017-D	3034-P
3/4"	1	1.38	0.2	3017-E	3034-Q
1"	1.17	1.75	0.5	3017-F	3034-R
1-1/4"	1.31	2.25	0.7	3017-G	3034-S
1-1/2"	1.56	2.5	1.1	3017-H	3034-T
2"	1.67	3	1.5	3017-I	3034-U
5-1/2"	1.81	3.62	2.4	3017-J	3034-V
3"	2.12	4.25	3.7	3017-K	3034-W
4"	2.37	5.5	6.8	3017-L	3034-X

*All dimensions are for reference only and subject to change.

3000# FORGED STAINLESS STEEL PIPE FITTINGS

BUYFITTINGSONLINE.COM | 1.800.569.0810 | BFO@QMCTECHNOLOGIES.COM

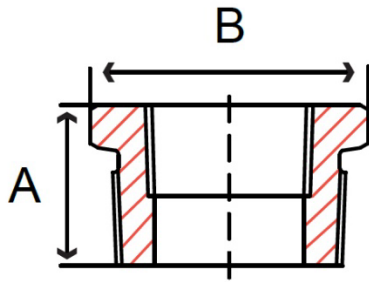
Hex Bushings - 3000# Forged Stainless Steel Threaded Pipe Fittings



Size (inches)	A	B	Weight (lbs)	304/L SS	316/L SS
1/4 x 1/8	0.56	0.62	0.02	3009-A	3026-M
3/8 x 1/8	0.66	0.69	0.02	3009-BA	3026-NM
3/8 x 1/4	0.66	0.69	0.02	3009-B	3026-N
1/2 x 1/8	0.75	0.88	0.06	3009-CA	3026-OM
1/2 x 1/4	0.75	0.88	0.06	3009-CB	3026-ON
1/2 x 3/8	0.75	0.88	0.06	3009-C	3026-O
3/4 x 1/8	0.84	1.06	0.1	3009-DA	3026-PM
3/4 x 1/4	0.84	1.06	0.1	3009-DB	3026-PN
3/4 x 3/8	0.84	1.06	0.1	3009-DC	3026-PO
3/4 x 1/2	0.84	1.06	0.1	3009-D	3026-P
1 x 1/8	1	1.38	0.2	3009-EA	3026-QM
1 x 1/4	1	1.38	0.2	3009-EB	3026-QN
1 x 3/8	1	1.38	0.2	3009-EC	3026-QO
1 x 1/2	1	1.38	0.2	3009-ED	3026-QP
1 x 3/4	1	1.38	0.2	3009-E	3026-Q
1-1/4 x 1/8	1.09	1.75	0.8	3009-FA	3026-RM
1-1/4 x 1/4	1.09	1.75	0.3	3009-FB	3026-RN
1-1/4 x 3/8	1.09	1.75	0.3	3009-FC	3026-RO
1-1/4 x 1/2	1.09	1.75	0.5	3009-FD	3026-RP
1-1/4 x 3/4	1.09	1.75	0.5	3009-FE	3026-RQ
1-1/4 x 1	1.09	1.75	0.5	3009-F	3026-R
1-1/2 x 1/8	1.12	2	1.3	3009-GA	3026-SM
1-1/2 x 1/4	1.12	2	1.3	3009-GB	3026-SN
1-1/2 x 3/8	1.12	2	1.3	3009-GC	3026-SO
1-1/2 x 1/2	1.12	2	1	3009-GD	3026-SP
1-1/2 x 3/4	1.12	2	0.8	3009-GE	3026-SQ
1-1/2 x 1	1.12	2	0.7	3009-GF	3026-SR
1-1/2 x 1-1/4	1.12	2	0.7	3009-G	3026-S
2 x 1/4	1.22	2.5	0.8	3009-HB	3026-TN
2 x 3/8	1.22	2.5	1.8	3009-HC	3026-TO
2 x 1/2	1.22	2.5	1.7	3009-HD	3026-TP

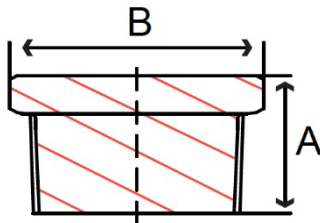
3000# FORGED STAINLESS STEEL PIPE FITTINGS

BUYFITTINGSONLINE.COM | 1.800.569.0810 | BFO@QMCTECHNOLOGIES.COM



HEX BUSHINGS – CONT'D					
Size (inches)	A	B	Weight (lbs)	304/L SS	316/L SS
2 x 1	1.22	2.5	1.5	3009-HF	3026-TR
2 x 1-1/4	1.22	2.5	0.9	3009-HG	3026-TS
2 x 1-1/2	1.22	2.5	0.9	3009-H	3026-T
2-1/2 x 1/2	1.44	3	1.1	3009-ID	3026-UP
2-1/2 x 3/4	1.44	3	1.1	3009-IE	3026-UQ
2-1/2 x 1	1.44	3	1.1	3009-IF	3026-UR
2-1/2 x 1-1/4	1.44	3	1.1	3009-IG	3026-US
2-1/2 x 1-1/2	1.44	3	1.3	3009-IH	3026-UT
2-1/2 x 2	1.44	3	1.3	3009-I	3026-U
3 x 1/4	1.53	3.5	5.3	3009-JB	3026-VN
3 x 1/2	1.53	3.5	5.2	3009-JD	3026-VP
3 x 3/4	1.53	3.5	4.6	3009-JE	3026-VQ
3 x 1	1.53	3.5	5	3009-JF	3026-VR
3 x 1-1/4	1.53	3.5	3.4	3009-JG	3026-VS
3 x 1-1/2	1.53	3.5	3.1	3009-JH	3026-VT
3 x 2	1.53	3.5	2.7	3009-JI	3026-VU
3 x 2-1/2	1.53	3.5	2.3	3009-J	3026-V

Hex Head Plugs - Solid - 3000# Forged Stainless Steel Threaded Pipe Fittings

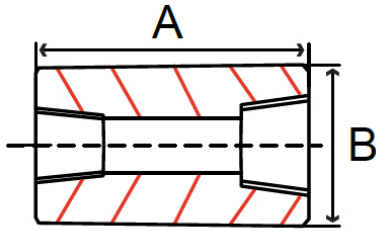


Size (inches)	A	B	Weight (lbs)	304/L SS	316/L SS
1/8"	0.63	0.44	0.02	3008-A	3025-M
1/4"	0.69	0.62	0.06	3008-B	3025-N
3/8"	0.81	0.69	0.08	3008-C	3025-O
1/2"	0.87	0.88	0.1	3008-D	3025-P
3/4"	1	1.06	0.3	3008-E	3025-Q
1"	1.13	1.38	0.4	3008-F	3025-R
1-1/4"	1.37	1.75	0.9	3008-G	3025-S
1-1/2"	1.43	2	1.3	3008-H	3025-T
2"	1.57	2.5	2.2	3008-I	3025-U
2-1/2"	1.81	3	3.9	3008-J	3025-V
3"	1.93	3.5	5.7	3008-K	3025-W
4"	2.25	4.62	11.4	3008-L	3025-X

3000# FORGED STAINLESS STEEL PIPE FITTINGS

BUYFITTINGSONLINE.COM | 1.800.569.0810 | BFO@QMCTECHNOLOGIES.COM

Reducing Couplings - 3000# Forged Stainless Steel Threaded



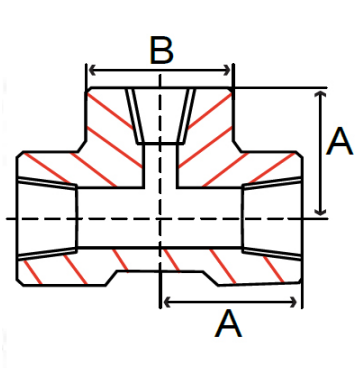
Size (inches)	A	B	Weight (lbs)	304/LSS	316/LSS
1/4 x 1/8	1.38	0.75	0.1	3013-BA	3030-NM
3/8 x 1/8	1.5	0.88	0.1	3013-CA	3030-OM
3/8 x 1/4	1.5	0.88	0.1	3013-CB	3030-ON
1/2 x 1/8	1.88	1.12	0.2	3013-DA	3030-PM
1/2 x 1/4	1.88	1.12	0.4	3013-DB	3030-PN
1/2 x 3/8	1.88	1.12	0.2	3013-DC	3030-PO
3/4 x 1/4	2	1.33	0.4	3013-EB	3030-QN
3/4 x 3/8	2	1.33	0.4	3013-EC	3030-QO
3/4 x 1/2	2	1.33	0.4	3013-ED	3030-QP
1 x 1/4	2.38	1.75	0.8	3013-FB	3030-RN
1 x 3/8	2.38	1.75	0.8	3013-FC	3030-RO
1 x 1/2	2.38	1.75	0.8	3013-FD	3030-RP
1 x 3/4	2.38	1.75	0.8	3013-FE	3030-RQ
1-1/4 x 1/4	2.62	2.25	1.5	3013-GB	3030-SN
1-1/4 x 1/2	2.62	2.25	1.5	3013-GD	3030-SP
1-1/4 x 3/4	2.62	2.25	1.5	3013-GE	3030-SQ
1-1/4 x 1	2.62	2.25	1.5	3013-GF	3030-SR
1-1/2 x 1/4	3.12	2.5	2.1	3013-HB	3030-TN
1-1/2 x 3/8	3.12	2.5	2.1	3013-HC	3030-TO
1-1/2 x 1/2	3.12	2.5	2.1	3013-HD	3030-TP
1-1/2 x 3/4	3.12	2.5	2.1	3013-HE	3030-TQ
1-1/2 x 1	3.12	2.5	2.8	3013-HF	3030-TR
1-1/2 x 1-1/4	3.12	2.5	2.1	3013-HG	3030-TS
2 x 1/2	3.38	3	3	3013-ID	3030-UP
2 x 3/4	3.38	3	3	3013-IE	3030-UQ
2 x 1	3.38	3	4.5	3013-IF	3030-UR
2 x 1-1/4	3.38	3	3.3	3013-IG	3030-US
2 x 1-1/2	3.38	3	3.9	3013-IH	3030-UT

**All dimensions are for reference only and subject to change.

3000# FORGED STAINLESS STEEL PIPE FITTINGS

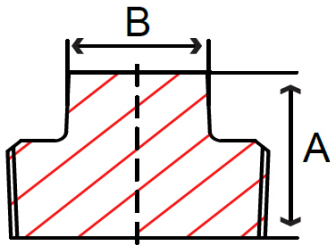
BUYFITTINGSONLINE.COM | 1.800.569.0810 | BFO@QMCTECHNOLOGIES.COM

Reducing Tees – Reducing on Branch Outlet - 3000# Forged



Size (inches)	A	B	Weight (lbs)	304/L SS	316/L SS
1/2" x 1/4"	1.3	1.49	1.8	3002-DB	3019-PN
3/4" x 1/4"	1.5	1.81	2.9	3002-EB	3019-QN
3/4" x 3/8"	1.5	1.81	2.9	3002-EC	3019-QO
3/4" x 1/2"	1.5	1.81	1.8	3002-ED	3019-QP
1" x 3/8"	1.75	2.19	3.6	3002-FC	3019-RO
1" x 1/2"	1.75	2.19	2.9	3002-FD	3019-RP
1" x 3/4"	1.75	2.19	2.9	3002-FE	3019-RQ
1-1/2" x 1/2"	2.38	2.97	6.8	3002-HD	3019-TP
1-1/2" x 3/4"	2.38	2.97	6.8	3002-HE	3019-TQ
1-1/2" x 1"	2.38	2.97	6.8	3002-HF	3019-TR
1-1/2" x 1-1/4"	2.38	2.97	6.8	3002-HG	3019-TS
2" x 3/8"	2.5	3.31	7.0	3002-IC	3019-UO
2" x 1/2"	2.5	3.31	7.0	3002-ID	3019-UP
2" x 3/4"	2.5	3.31	7.0	3002-IE	3019-UQ
2" x 1"	2.5	3.31	7.0	3002-IF	3019-UR
2" x 1-1/4"	2.5	3.31	7.0	3002-IG	3019-US
2" x 1-1/2"	2.5	3.31	7.0	3002-IH	3019-UT

Square Head Plugs - Solid - 3000# Forged SS Threaded



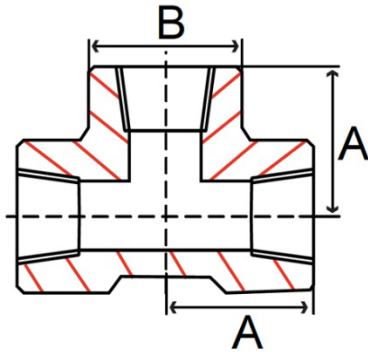
Size (inches)	A	B	Weight (lbs)	304/L SS	316/L SS
1/8"	0.63	0.28	0.02	3007-A	3024-M
1/4"	0.69	0.38	0.02	3007-B	3024-N
3/8"	0.81	0.44	0.06	3007-C	3024-O
1/2"	0.94	0.56	0.1	3007-D	3024-P
3/4"	1.06	0.62	0.2	3007-E	3024-Q
1"	1.25	0.81	0.3	3007-F	3024-R
1-1/4"	1.37	0.94	0.5	3007-G	3024-S
1-1/2"	1.43	1.12	0.8	3007-H	3024-T
2"	1.57	1.31	1.3	3007-I	3024-U
2-1/2"	1.81	1.5	2.1	3007-J	3024-V
3"	1.93	1.69	3.3	3007-K	3024-W
4"	2.25	2.5	8.4	3007-L	3024-X

*All dimensions are for reference only and subject to change.

3000# FORGED STAINLESS STEEL PIPE FITTINGS

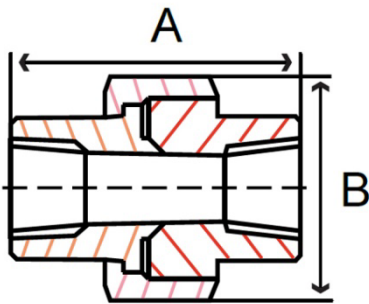
BUYFITTINGSONLINE.COM | 1.800.569.0810 | BFO@QMCTECHNOLOGIES.COM

Tees - 3000# Forged Stainless Steel Threaded



Size (inches)	A	B	Weight (lbs)	304/L SS	316/L SS
1/8"	0.81	0.88	0.2	3002-A	3019-M
1/4"	0.97	1	0.4	3002-B	3019-N
3/8"	1.12	1.31	0.8	3002-C	3019-O
1/2"	1.31	1.5	1.2	3002-D	3019-P
3/4"	1.5	1.81	2	3002-E	3019-Q
1"	1.75	2.19	3.2	3002-F	3019-R
1-1/4"	2	2.44	3.8	3002-G	3019-S
1-1/2"	2.38	2.97	7.2	3002-H	3019-T
2"	2.5	3.31	7.7	3002-I	3019-U
2-1/2"	3.25	4	15.4	3002-J	3019-V
3"	3.75	4.75	22.4	3002-K	3019-W
4"	4.5	6	39.6	3002-L	3019-X

Unions - 3000# Forged Stainless Steel Threaded



Size (inches)	A	B	Weight (lbs)	304/L SS	316/L SS
1/8"	1.66	1.48	0.6	3006-A	3023-M
1/4"	1.66	1.48	0.6	3006-B	3023-N
3/8"	1.83	1.66	0.5	3006-C	3023-O
1/2"	2	1.93	0.7	3006-D	3023-P
3/4"	2.31	2.38	1	3006-E	3023-Q
1"	2.42	2.78	1.6	3006-F	3023-R
1-1/4"	2.86	3.35	2.2	3006-G	3023-S
1-1/2"	3	3.7	3.5	3006-H	3023-T
2"	3.5	4.42	5.3	3006-I	3023-U
2-1/2"	4.25	5.22	8	3006-J	3023-V
3"	4.42	6.15	11.6	3006-K	3023-W
4"	7	6.2	27.4	3006-L	3023-X

*All dimensions are for reference only and subject to change.

3000# FORGED STAINLESS STEEL PIPE FITTINGS

BUYFITTINGSONLINE.COM | 1.800.569.0810 | BFO@QMCTECHNOLOGIES.COM