

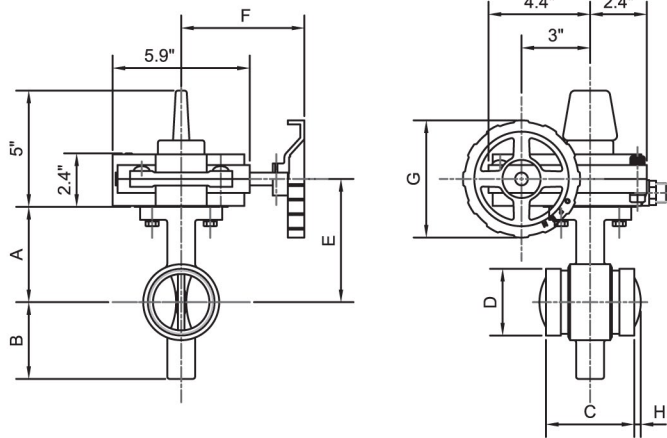
300 PSI Butterfly Valve | Grooved

Technical Features

- **Connections:** Grooved Ends (AWWA C606)
- **Sizes:** 2-1/2", 3", 4", 6", 8"
- **Approvals:** UL, ULC, FM, and California State Fire Marshal
- **Maximum Working Pressure:** 300PSI (Max. Test Pressure: 600PSI)
- **Maximum Working Temperature:** 250°F (120°C)
- **Application:** Indoor and Outdoor Use
- **Double-Seal Disc;** Resilient EPDM Coating
- **Factory-Installed Supervisory Tamper Switch Assembly**
- Also Available with Supervised Closed Switches.



| Component | Material | Specification |
|----------------|-----------------|-----------------------------|
| Body | Ductile Iron | ASTM A536 Nylon-11 Coated |
| Disc | Ductile Iron | ASTM A536 EPDM Encapsulated |
| Indicator | Ductile Iron | ASTM A536 |
| Housing | Ductile Iron | ASTM A536 |
| Handwheel | Ductile Iron | ASTM A536 |
| Stem | Stainless Steel | AISI 420 |
| Worm Shaft | Stainless Steel | AISI 410 |
| Shear Pin | Steel | ASTM A510 |
| Gear Segment | Brass | ASTM B584 |
| Housing Gasket | EPDM | EPDM Grade E |
| O-Ring (All) | EPDM | EPDM Grade E |



Dimensions:

| Size | A | | B | | C | | D | | E | | F | | G | | H | | Weight lbs |
|--------|-----|-------|-----|-------|-----|-------|-----|-------|-----|-------|-----|-------|-----|-------|-----|------|---------------|
| | in | mm | in | mm | in | mm | in | mm | in | mm | in | mm | in | mm | in | mm | |
| 2-1/2" | 4.1 | 105.0 | 3.6 | 92.0 | 3.8 | 96.4 | 2.9 | 73.0 | 5.3 | 135.0 | 5.3 | 135.0 | 5.0 | 128.0 | | | 20.0 |
| 3" | 4.4 | 112.0 | 3.7 | 95.0 | 3.8 | 96.4 | 3.5 | 88.9 | 5.6 | 142.0 | 5.3 | 135.0 | 5.0 | 128.0 | | | 21.0 |
| 4" | 5.7 | 145.0 | 4.3 | 108.0 | 4.5 | 115.4 | 4.5 | 114.3 | 6.9 | 175.0 | 5.3 | 135.0 | 5.0 | 128.0 | | | 26.0 |
| 6" | 7.0 | 179.0 | 5.7 | 146.0 | 5.2 | 132.4 | 6.6 | 168.0 | 8.2 | 209.0 | 7.6 | 193.0 | 8.7 | 220.0 | 0.3 | 6.8 | 39.0 |
| 8" | 8.0 | 204.0 | 6.7 | 170.0 | 5.8 | 147.4 | 8.6 | 219.1 | 9.2 | 234.0 | 7.6 | 193.0 | 8.7 | 220.0 | 1.0 | 24.2 | 51.0 |