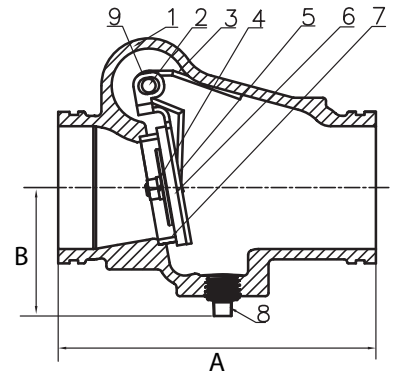


# Fig. 67CVR-A UL/FM Grooved Riser Check Valve



Pipe Size in/mm	Part Number	A in/mm	B in/mm	Drain Size in/mm	Weight lb/kg
2-1/2 65	67CVRE3024A	7.25 184.0	3.50 89.0	1-1/4 NPT 31.75 NPT	8.1 3.7
3 80	67CVRE3030A	7.75 197.0	3.75 95.0	1-1/4 NPT 31.75 NPT	10.6 4.8
4 100	67CVRE3040A	8.11 206.0	4.25 108.0	2 NPT 50.8 NPT	17.4 7.9
6 150	67CVRE3060A	12.75 324.0	5.25 133.0	2 NPT 50.8 NPT	36.5 16.6
8 200	67CVRE3080A	14.60 371.0	6.25 160.0	2 NPT 50.8 NPT	60.4 27.4

No.	Part Name	Material
1	Body	Ductile Iron ASTM A536, 65-45-12
2	Hinge Pin	420 Stainless Steel
3	Spring	304 Stainless Steel
4	Spring Washer	304 Stainless Steel
5	Disc	2-1/2" - 4": 304 Stainless Steel 6" - 8" Ductile Iron ASTM A536, 65-45-12
6	Seal Ring	EPDM
7	Seat	Lead-free Bronze C89833
8	Drain Plug	Malleable Iron Galvanized
9	Bushing	Lead-free Bronze C89833

## Features

- The riser check valve is factory NPT tapped and plugged allowing it to also be used as a swing check valve.
  - Reduces inventory
  - Reduces shelf space required to stock
- Up to 75% lighter than the competition (Applies to 8" Size)
  - Safer to handle in the warehouse
  - Safer to ship
  - Safer and easier to handle and install
- Trim kit – 12 parts packaged together to reduce search time and chance of missing parts
- Fig. 67CVR-A is SCI Branded, and the gauges and valves are FPPI branded – we stand behind the product – make sure that the company you are buying from has enough confidence in their product to put their name on it
- Riser check valve only allows flow in one direction with a non-slam closure before flow reversal can occur, holds tight with a leak tight seal and non-sticking operation
- Grooved ends provide faster installation
- Part of the broader SCI COOPLOK™ Grooved product portfolio
- Trim kit is designed for Smith-Cooper Fig. 67CVR-A only.

## Technical Information

- Riser Check Valve is cUL and FM Approved
- Can be used in horizontal and vertical applications – hinge pin must be up in horizontal apps.; Flow must be in direction of arrow for vertical
- 300 PSI rating matches highest in the industry when used with a trim kit
- Check valve body conforms to ASTM A536, 65-45-12 keeping it light and easy to install – see benefits above concerning safety and ease of installation
- Available in sizes 2.5" through 8"
- Groove dimensions to AWWA C-606



**AWWA**  
**C515**  
**Compliant**

# UL/FM Grooved Riser Check Valve with Trim Kit

Fig. 67CVR-A

\*Designed for use with Smith-Cooper Fig. 67CVR-A UL/FM Grooved Riser Check Valve



Fig. 67CVR-A  
UL/FM Grooved Riser Check Valve

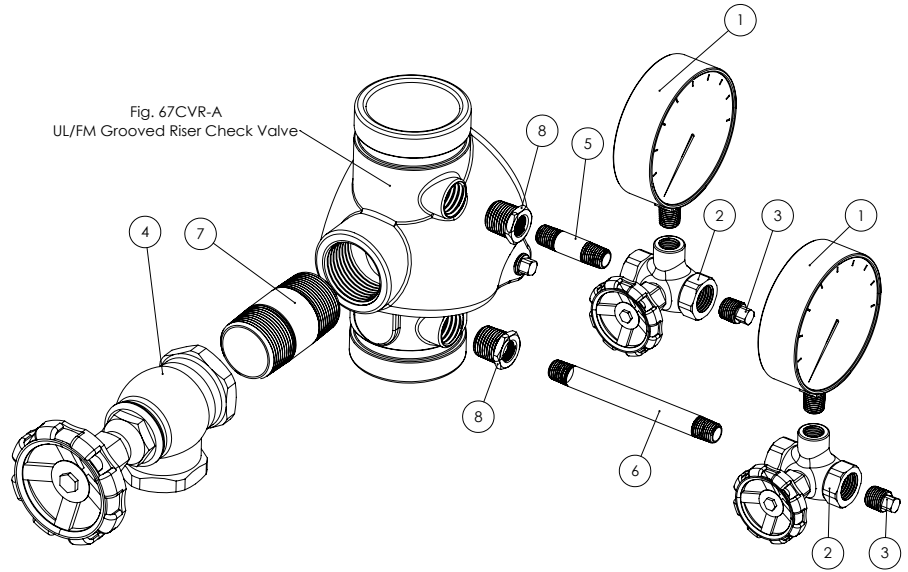
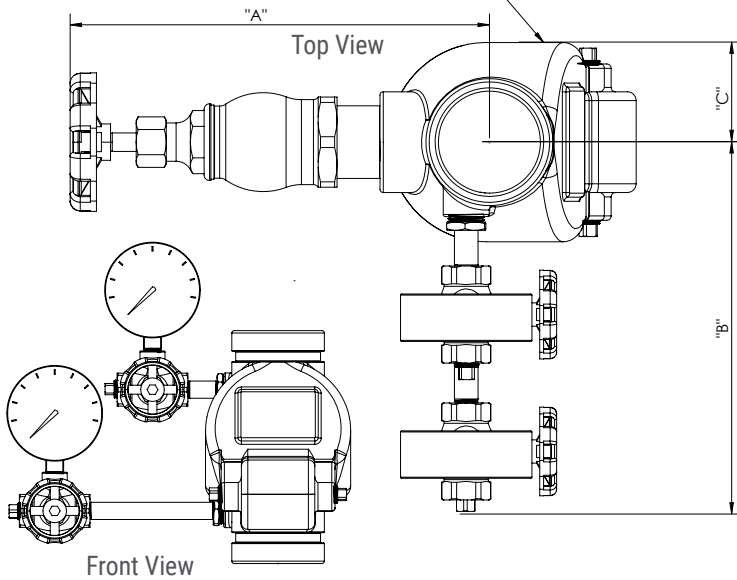


Fig. 67CVR-A  
UL/FM Grooved Riser Check Valve



### KIT PART NUMBER 67CVRKIT024030 - 2-1/2" & 3"

No.	Part Number	Description	Qty
1	11-550-00	FPPI® Water Gauge, 0-300psi	2
2	06-600-00	FPPI® 3-Way Gauge Valve, UL	2
3	24SP4002	1/4" Galv. Square Plug	2
4	06-826-00	FPPI® Angle Valve, 1 1/4" UL/ULC	1
5	84NI4002020C	1/4"x 2" Galv. Nipple	1
6	84NI4002054C	1/4"x 5-1/2" Galv. Nipple	1
7	84NI4012030C	1-1/4"x 3" Galv. Nipple	1
8	24HB4004002	1/2"x 1/4" Galv. Hex Bushing	2

### KIT PART NUMBER 67CVRKIT040 - 4"

No.	Part Number	Description	Qty
1	11-550-00	FPPI® Water Gauge, 0-300psi	2
2	06-600-00	FPPI® 3-Way Gauge Valve, UL	2
3	24SP4002	1/4" Galv. Square Plug	2
4	06-830-00	FPPI® Angle Valve, 2" UL/ULC	1
5	84NI4002020C	1/4"x 2" Galv. Nipple	1
6	84NI4002054C	1/4"x 5-1/2" Galv. Nipple	1
7	84NI4012030C	1-1/4"x 3" Galv. Nipple	1
8	24HB4004002	1/2"x 1/4" Galv. Hex Bushing	2

### KIT PART NUMBER 67CVRKIT060080 - 6" & 8"

No.	Part Number	Description	Qty
1	11-550-00	FPPI® Water Gauge, 0-300psi	2
2	06-600-00	FPPI® 3-Way Gauge Valve, UL	2
3	24SP4002	1/4" Galv. Square Plug	2
4	06-830-00	FPPI® Angle Valve, 2" UL/ULC	1
5	84NI4002040C	1/4"x 4" Galv. Nipple	1
6	84NI4002040C	1/4"x 4" Galv. Nipple	1
7	84NI4012030C	1-1/4"x 3" Galv. Nipple	1
8	24HB4004002	1/2"x 1/4" Galv. Hex Bushing	2

Pipe Size in	Part Number	A in	B in	C in	Weight lb
2-1/2	67CVRKIT04030	10.0	9.0	2.5	5.25
3	67CVRKIT024030	10.0	9.5	2.5	5.25
4	67CVRKIT040	13.5	10.8	3.0	8.00
6	67CVRKIT060080	14.0	11.5	5.0	8.05
8	67CVRKIT060080	14.5	12.5	6.0	8.05