

2000 PSI STAINLESS STEEL BALL VALVES DATA SHEET

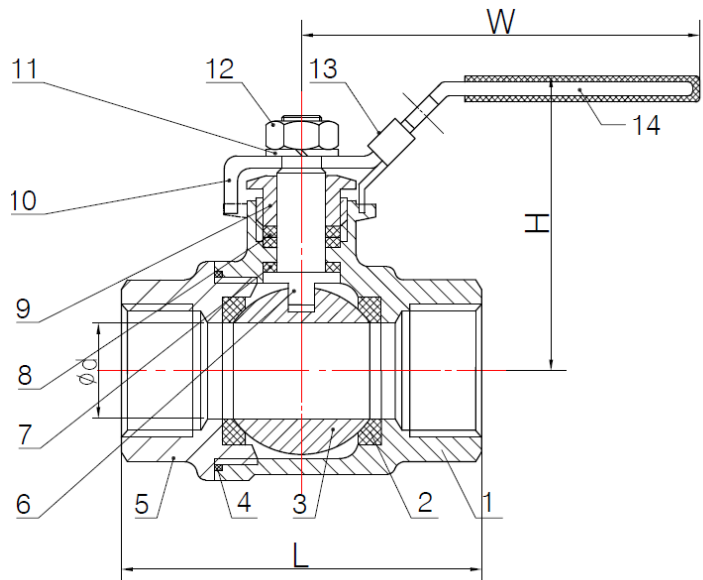
2000 PSI Ball Valve Features:

- Mediums: Water, Oil & Gas. (WOG)
- Seats & Seals: Teflon (PTFE)
- Threads: Female NPT (National Pipe Thread)
- Full Port: Full Port Ball Valve
- Handle: Blow-Out Proof
- Handle Locking Mechanism: handle equipped with locking device (Re-movable)
- Temperature Rating: -13°F to 302°F (-25°C to 150°C)



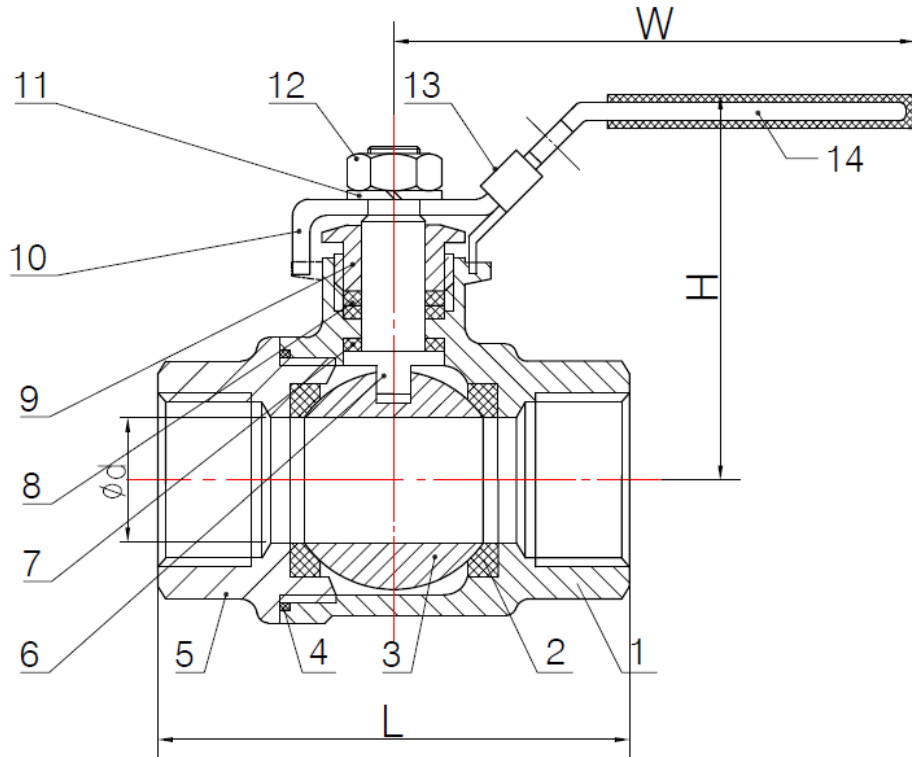
2000 PSI STAINLESS STEEL BALL VALVES DIMENSIONAL DATA

Item	Part	Material
1	BODY	A351-CF8M
2	SEAT	PTFE
3	BALL	316
4	BODY GASKET	PTFE
5	CAP	A351-CF8M
6	STEM	316
7	THRUST WASHER	PTFE
8	STEM PACKING	PTFE
9	GLAND NUT	304
10	HANDLE	304
11	WASHER	304
12	NUT	304
13	LOCK DEVICE	304
14	PLASTIC COVER	Plastic



Material List Chart:

- Valve Body: Stainless Steel 316 (CF8M)
- Seats and Seals: The Seal Seat is composed of Teflon (PTFE) which makes this Robust Valve corrosion resistant, including heat & chemical resistant.
- Compatibility: Suitable to be used with any substance compatible with Stainless Steel and Teflon (PTFE).
- All wetted parts of the valve that touch the product being transferred are PTFE (Teflon) and 316 Stainless Steel (CF8M).



SIZE		Ød	L	H	W	N·M	KGS
DN8	1/4"	12.5	56.5	48	105	4	0.28
DN10	3/8"	12.5	56.5	48	105	4	0.28
DN15	1/2"	15	65.5	53	110	5	0.43
DN20	3/4"	20	77.5	62	135	8	0.59
DN25	1"	25	89	75	150	10	1.06
DN32	1 1/4"	32	104	83	150	14	1.50
DN40	1 1/2"	38	122	91	177	25	2.39
DN50	2"	50	124.5	102	183	40	3.40

Ball Valve Design Data:

- Design Standard: ASME B16.34
- Nominal Diameter: DN8-DN50(1/4 in. to 2 in.)
- End Connections: DIN259/2999, ISO228/1&ISO7/1
- Threads: ASME B1.20.1, BS21
- Inspection & Testing: According to API 598, EN12266-1