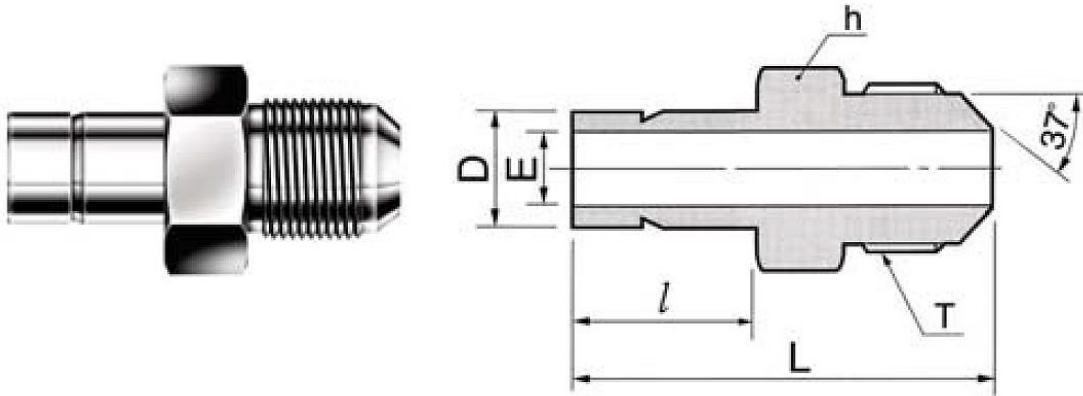


MALE AN ADAPTER MAA



Connects Fractional BFO-Lok port to AN flared tube
 Classification: Tube x AN Tube

| Part No. | Tube O.D. | | AN Tube Flare Size | | Straight Thread T(U) | E Min | Width Across Flat | | l | L |
|----------------|-----------|-------|--------------------|-------|----------------------|-------|-------------------|-------|-------|-------|
| | in. | mm | in. | mm | | | in. | mm | | |
| 30-MAA-1/4-1/4 | 1/4 | 6.35 | 1/4 | 6.35 | 7/16-20 | 4.57 | 1/2 | 12.7 | 15.75 | 37.1 |
| 30-MAA-3/8-3/8 | 3/8 | 9.52 | 3/8 | 9.52 | 9/16-18 | 7.11 | 5/8 | 15.87 | 17.5 | 39.63 |
| 30-MAA-1/2-3/8 | 1/2 | 12.70 | 3/8 | 9.52 | 9/16-18 | 7.11 | 5/8 | 15.87 | 23.1 | 45.7 |
| 30-MAA-1/2-1/2 | 1/2 | 12.70 | 1/2 | 12.70 | 3/4-16 | 9.9 | 13/16 | 20.64 | 23.1 | 48.52 |
| 30-MAA-1/2-5/8 | 1/2 | 12.70 | 5/8 | 15.87 | 7/8-14 | 9.9 | 15/16 | 23.81 | 23.1 | 52.0 |
| 30-MAA-5/8-5/8 | 5/8 | 15.87 | 5/8 | 15.87 | 7/8-14 | 12.3 | 15/16 | 23.81 | 27.68 | 56.13 |
| 30-MAA-3/4-3/4 | 3/4 | 19.05 | 3/4 | 19.05 | 1-1/16-12 | 14.98 | 1-1/8 | 28.57 | 24.7 | 56.13 |
| 30-MAA-1-1 | 1 | 25.4 | 1 | 25.4 | 1-5/16-12 | 20.06 | 1-3/8 | 34.92 | 31.7 | 65.33 |

All dimensions are in millimeters unless otherwise specified and only for reference and subject to change.
 Request a quote for any sizes not listed online.

ADDITIONAL PRODUCT INFORMATION

FITTING SPECIFICATIONS & DATA



Operating Pressures & Temperatures - Stainless Steel Compression Tubing

- **Applications Include:** Compression, Instrumentation, Vacuum, Gas, Cryogenic, High pressure & Temperature Service.
- All tube fittings are double ferrule and consist of a body, front ferrule, back ferrule and nut.
- Stainless steel bar stock conforms to ASTM A276, ASTM 479, ASME SA479 and JIS GA 303
- Stainless steel forged fittings conform to ASTM A182, ASME SA 182 and JIS G3214
- These tube fittings are designed using industrial codes and specifications with additional cutting-edge engineering on swaging action and sealing integrity.
- Provides excellent leak-free sealing on high pressure gas, vacuum, impulse, thermal shock, heavy vibration and many other stringent applications.
- **The pressure rating of a BFO Tube Fitting is rated to the working pressure of the connective tubing.**