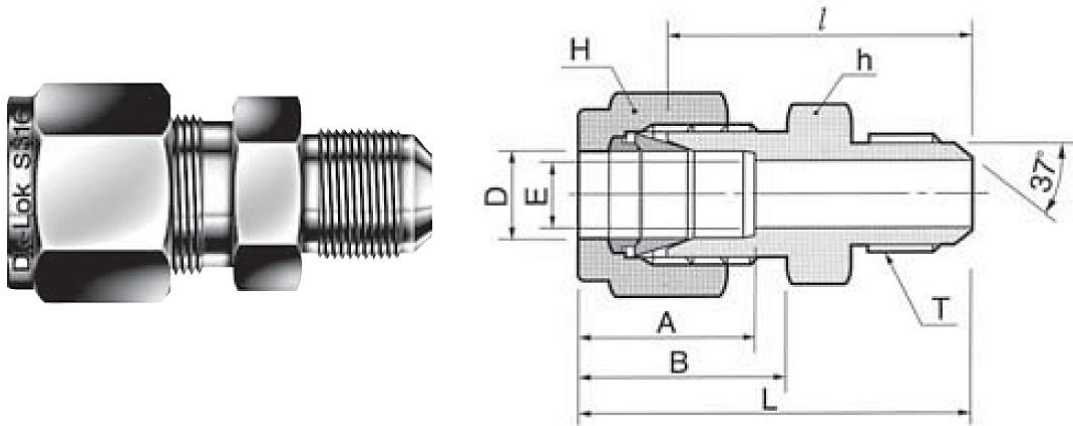


AN UNION AU

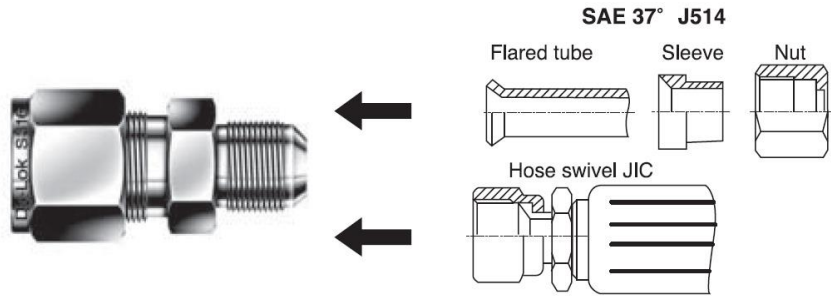


Connects fractional tube x AN flared tube
 Classification: Tube x AN Tube
 Ferrule System: Double Ferrule

Part No.	Tube O.D.		AN Tube Flare Size		Straight Thread T(U)	E Min	Width Across Flat				A	B	I	L
	in.	mm	in.	mm			h		H					
							in.	mm	in.	mm				
30-AU-1/16-1/8	1/16	1.59	1/8	3.17	5/16-24	1.27	7/16	11.11	5/16	7.93	8.63	10.92	23.36	27.17
30-AU-1/8-1/8	1/8	3.17	1/8	3.17	5/16-24	1.52	7/16	11.11	7/16	11.11	12.70	15.24	24.89	31.49
30-AU-1/8-1/4	1/8	3.17	1/4	6.35	7/16-20	2.28	1/2	12.70	7/16	11.11	12.70	15.24	28.44	35.05
30-AU-1/4-1/4	1/4	6.35	1/4	6.35	7/16-20	4.31	1/2	12.70	9/16	14.28	15.24	17.78	30.22	37.59
30-AU-5/16-5/16	5/16	7.93	5/16	7.93	1/2-20	5.84	9/16	14.28	5/8	15.87	16.25	18.54	30.98	38.35
30-AU-3/8-1/4	3/8	9.52	1/4	6.35	7/16-20	4.31	5/8	15.87	11/16	17.46	16.76	19.30	32.25	39.62
30-AU-3/8-3/8	3/8	9.52	3/8	9.52	9/16-18	7.11	5/8	15.87	11/16	17.46	16.76	19.30	32.25	39.62
30-AU-1/2-1/2	1/2	12.70	1/2	12.70	3/4-16	9.90	13/16	20.64	7/8	22.22	22.86	21.84	35.81	45.97
30-AU-3/4-3/4	3/4	19.05	3/4	19.05	1-1/16-12	15.49	1-1/8	28.58	1-1/8	28.58	24.38	21.84	43.18	53.34
30-AU-1-1	1	25.40	1	25.40	1-5/16-12	21.33	1-3/8	34.92	1-1/2	38.10	31.24	26.41	49.27	61.46
30-AU-1-1/4-1-1/4	1-1/4	31.75	1-1/4	31.75	1-5/8-12	27.68	1-3/4	44.45	1-7/8	47.63	41.14	38.86	55.46	77.56
30-AU-1-1/2-1-1/2	1-1/2	38.10	1-1/2	38.10	1-7/8-12	33.90	2-1/8	53.97	2-1/4	57.15	50.03	45.21	63.07	90.25
30-AU-2-2	2	50.80	2	50.80	2-1/2-12	45.97	2-3/4	69.85	3	76.20	67.56	62.73	83.24	120.57

All dimensions are in millimeters unless otherwise specified and only for reference and subject to change.
 Request a quote for any sizes not listed online.

BFO-Lok AN fitting 37° Flare is designed to SAE J514 standard. AN fittings are used normally in Army and Navy instrumentation.



ADDITIONAL PRODUCT INFORMATION

COMPETITOR PART NUMBER			
ITEM #	SWAGELOK	SSP DUOLOK	PARKER A-LOK
30-AU-1/16-1/8	--	--	--
30-AU-1/8-1/8	SS-200-6-2AN	ISSD2ANU2	2XASC2-SS
30-AU-1/8-1/4	SS-200-6-4AN	ISSD2ANU4	4XASC2-SS
30-AU-1/4-1/4	SS-400-6-4AN	ISSD4ANU4	4XASC4-SS
30-AU-5/16-5/16	SS-500-6-5AN	ISSD5ANU5	5XASC5-SS
30-AU-3/8-1/4	SS-600-6-4AN	ISSD6ANU4	4XASC6-SS
30-AU-3/8-3/8	SS-600-6-6AN	ISSD6ANU6	6XASC6-SS
30-AU-1/2-1/2	SS-810-6-8AN	ISSD8ANU8	8XASC8-SS
30-AU-3/4-3/4	SS-1010-6-10AN	ISSD10ANU10	10XASC10-SS
30-AU-1-1	SS-1210-6-12AN	ISSD12ANU12	12XASC12-SS
30-AU-1-1/4-1-1/4	SS-1610-6-16AN	ISSD16ANU16	16XASC16-SS
30-AU-1-1/2-1-1/2	SS-2400-6-24AN	ISSD24ANU24	24XASC24-SS
30-AU-2-2	--	--	--

GENERAL COMPRESSION TUBE FITTING SPECIFICATIONS & DATA

- Applications Include: Compression, Instrumentation, Vacuum, Gas, Cryogenic, High pressure & Temperature Service.
- These tube fittings are designed using industrial codes and specifications with additional cutting-edge engineering on swaging action and sealing integrity.
- Provides excellent leak-free sealing on high pressure gas, vacuum, impulse, thermal shock, heavy vibration and many other stringent applications.
- All tube fittings are double ferrule and consist of a body, front ferrule, back ferrule and nut.
- Stainless steel bar stock conforms to ASTM A276, ASTM 479, ASME SA479 and JIS GA 303
- Stainless steel forged fittings conform to ASTM A182, ASME SA 182 and JIS G3214