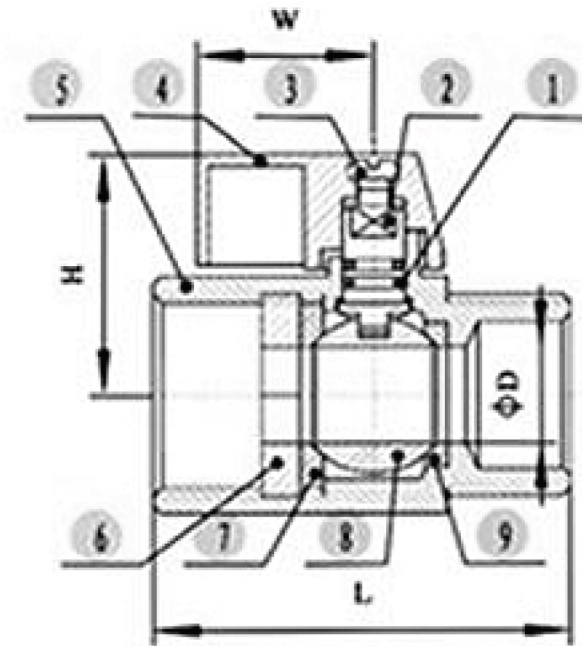


1/2" STAINLESS STEEL BALL VALVES - MALE X FEMALE



DIMENSION TABLE

ITEM	SIZE	1/4"	3/8"	1/2"	3/4"	1"
D		7	7	9.2	12.5	15
H		26.5	26.5	28.3	31.5	34
W		22.8	22.8	22.8	22.8	22.8
L		42	42	46	54	65



- 1000 PSI/PN63
- Reduced Port
- Investment Casting
- Blow-Out Proof Stem
- PED97/23/EC (CE0035) Approved
- Casting Approved AD2000-W0
- Threads: ASM B1.20.1 BS21 DIN2999/259, ISO228-1, JIS B 0203, ISO7/1
- Inspection Testing: API598, EN12266
- Applicable Temperature: -29° to 180° F

MATERIAL LIST

ITEM	DESIGNATION	MATERIAL
1	O-RING	NBR
2	STEM	SUS304
3	BOLT	SUS304
4	LEVER	ALLUMINUMALLOY
5	BODY	CF8/CF8M
6	CAP	CF8/CF8M
7	BALL SEAT (A)	RPTFE
8	BALL	CF8/CF8M
9	BALL SEAT (B)	RPTFE

- PED97/23/EC (CE0035) Approved