




Forged Carbon Steel Fittings and Outlets

2000# - 3000# - 6000#

Specifications

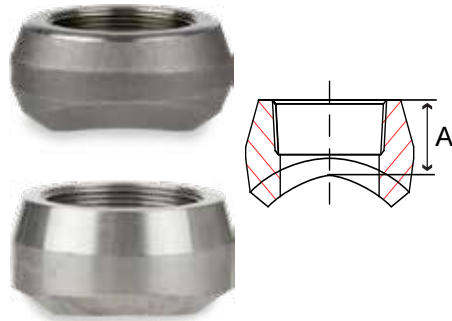
-  branded fittings
- Forged carbon steel fitting material conforms to ASTM SA105N, NORMALIZED
- Forged carbon steel fitting dimensions conform to ASME B16.11
- Forged carbon steel fitting dimensions listed are either minimums or set by the factory per ASME B16.11, contact SCI for exact dimensional information
- NPT threads on forged steel fittings conform to ASME B1.20.1
- Forged carbon steel socket weld inserts conform to MSS-SP-79
- Forged carbon steel unions conform to MSS-SP-83
- Forged carbon steel outlet fittings conform to MSS-SP-97
- Manufacturing facility is ISO 9001:2008
- MTR's are available upon request
- ProPak™ Packaging

3000# Stainless Fittings

Specifications

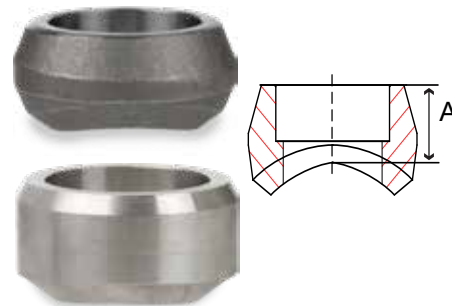
- Forged stainless steel material conforms to ASTM A182 grade F304/304L - F316/316L
- Forged stainless steel fitting dimensions conform to ASME B16.11
- NPT threads conform to ASME B1.20.1
- Socket weld fittings conform to ASME B16.11
- Forged stainless union conform to MSS SP-83
- Forged stainless outlets conform to MSS SP-97
- Forged stainless socket weld inserts conform to MSS SP-79
- Manufacturing facility is ISO 9001:2008

Fig. 43T03, S4534T0 & S4536T0 – Threaded Outlet



Size in	Part Number			A in	Master	Weight lb
	Steel	304 / 304L	316 / 316L			
1/4 x 3/8 thru 36	43TO3002003360	S4534TO002	S4536TO002	0.75	200	.02
3/8 x 1/2 thru 36	-	S4534TO003	S4536TO003	0.75	150	.02
1/2 x 3/4 thru 36	43TO3004006360	S4534TO004	S4536TO004	1.00	150	0.2
3/4 x 1 thru 1-1/4	43TO3006010012	-	-	1.06	100	0.2
3/4 x 1-1/2 thru 36	43TO3006014360	S4534TO006	S4536TO006	1.06	100	0.2
1 x 1-1/4 thru 2-1/2	43TO3010012024	-	-	1.31	50	0.5
1 x 3 thru 36	43TO3010030360	S4534TO010	S4536TO010	1.31	50	0.5
1-1/4 x 1-1/2	43TO3012010004	-	-	1.31	40	0.8
1-1/4 x 2 thru 3-1/2	43TO3012020034	-	-	1.31	40	0.8
1-1/4 x 4 thru 36	43TO3012040360	S4534TO012	S4536TO012	1.31	40	0.8
1-1/2 x 2 thru 2-1/2	43TO3014020024	-	-	1.38	25	1.0
1-1/2 x 3 thru 5	43TO3014030050	-	-	1.38	25	1.0
1-1/2 x 6 thru 36	43TO3014060360	S4534TO014	S4536TO014	1.38	25	1.0
2 x 2-1/2 thru 3-1/2	43TO3020024034	-	-	1.50	10	1.7
2 x 4 thru 6	43TO3020040060	-	-	1.50	15	1.7
2 x 8 thru 36	43TO3020080360	S4534TO020	S4536TO020	1.50	15	1.7
2-1/2 x 3 thru 3-1/2	43TO3024030034	-	-	1.81	10	2.5
2-1/2 x 4 thru 5	43TO3024040050	-	-	1.81	10	2.5
2-1/2 x 6 thru 8	43TO3024060080	-	-	1.81	10	2.5
2-1/2 x 10 thru 36	43TO3024100360	S4534TO024	S4536TO024	1.81	10	2.5
3 x 3-1/2 thru 4	43TO3030034040	-	-	2.00	6	4.0
3 x 5 thru 6	43TO3030050060	-	-	2.00	6	4.0
3 x 8 thru 14	43TO3030080140	-	-	2.00	6	4.0
3 x 16 thru 36	43TO3030160360	S4534TO030	S4536TO030	2.00	6	4.0
4 x 5 thru 6	43TO3040050060	-	-	2.25	3	6.3
4 x 8 thru 10	43TO3040080100	-	-	2.25	3	6.3
4 x 12 thru 20	43TO3040120200	-	-	2.25	3	6.3
4 x 22 thru 36	43TO3040220360	-	-	2.25	3	6.3

Fig. 43S03, S4534S0 & S4536S0 – Socket Weld Outlet



Size in	Part Number			A in	Master	Weight lb
	Steel	304 / L	316 / L			
1/4 x 3/8 thru 36	-	S4534SO002	S4536SO002	0.81	200	0.1
3/8 x 1/2 thru 36	-	S4534SO003	S4536SO003	1.00	150	0.2
1/2 x 3/4 thru 36	43SO3004006360	S4534SO004	S4536SO004	1.01	150	0.2
3/4 x 1 thru 1-1/4	43SO3006010012	-	-	1.13	100	0.2
3/4 x 1-1/2 thru 36	43SO3006014360	S4534SO006	S4536SO006	1.13	100	0.2
1 x 1-1/4 thru 2-1/2	43SO3010012024	-	-	1.38	50	0.5
1 x 3 thru 36	43SO3010030360	S4534SO010	S4536SO010	1.38	50	0.5
1-1/4 x 1-1/2	43SO3012010004	-	-	1.38	40	0.8
1-1/4 x 2 thru 3-1/2	43SO3012020034	-	-	1.38	40	0.8
1-1/4 x 4 thru 36	43SO3012040360	S4534SO012	S4536SO012	1.38	40	0.8
1-1/2 x 2 thru 2-1/2	43SO3014020024	-	-	1.44	25	1.0
1-1/2 x 3 thru 5	43SO3014030050	-	-	1.44	25	1.0
1-1/2 x 6 thru 36	43SO3014060360	S4534SO014	S4536SO014	1.44	25	1.0
2 x 2-1/2 thru 3-1/2	43SO3020024034	-	-	1.56	10	1.7
2 x 4 thru 6	43SO3020040060	-	-	1.56	15	1.7
2 x 8 thru 36	43SO3020080360	S4534SO020	S4536SO020	1.56	15	1.7
2-1/2 x 3 thru 3-1/2	43SO3024030034	-	-	1.62	10	2.5
2-1/2 x 4 thru 5	43SO3024040050	-	-	1.62	10	2.5
2-1/2 x 6 thru 8	43SO3024060080	-	-	1.62	10	2.5
2-1/2 x 10 thru 36	43SO3024100360	S4534SO024	S4536SO024	1.62	10	2.5
3 x 3-1/2 thru 4	43SO3030034040	-	-	1.81	6	4.0
3 x 5 thru 6	43SO3030050060	-	-	1.81	6	4.0
3 x 8 thru 14	43SO3030080140	-	-	1.81	6	4.0
3 x 16 thru 36	43SO3030160360	S4534SO030	S4536SO030	1.81	6	4.0
4 x 5 thru 6	43SO3040050060	-	-	1.94	1	6.3
4 x 8 thru 10	43SO3040080100	-	-	1.94	1	6.3
4 x 12 thru 20	43SO3040120200	-	-	1.94	1	6.3
4 x 22 thru 36	43SO3040220360	-	-	1.94	1	6.3

Fig. S4534W04 & S4536W04 3000# Butt Weld Outlet Sch 40 Bore

Size in	Part Number		A in	Master	Weight lb
	304 / 304L	316 / 316L			
1/4 x 3/8 thru 36	S4534WO4002	S4536WO4002	0.62	200	0.8
3/8 x 1/2 thru 36	S4534WO4003	S4536WO4003	0.75	150	0.1
1/2 x 3/4 thru 36	S4534WO4004	S4536WO4004	0.75	150	0.1
3/4 x 1 thru 36	S4534WO4006	S4536WO4006	0.88	100	0.2
1 x 2 thru 36	S4534WO4010	S4536WO4010	1.06	50	0.5
1-1/4 x 3 1/2 thru 36	S4534WO4012	S4536WO4012	1.25	40	0.8
1-1/2 x 5 thru 36	S4534WO4014	S4536WO4014	1.31	25	1.0
2 x 8 thru 36	S4534WO4020	S4536WO4020	1.50	15	1.7
2-1/2 x 10 thru 36	S4534WO4024	S4536WO4024	1.62	10	2.5
3 x 8 thru 36	S4534WO4030	S4536WO4030	1.75	6	3.8

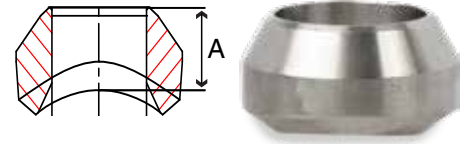
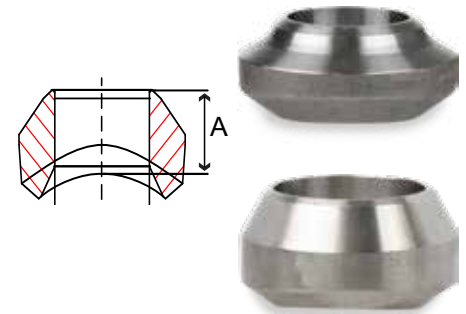


Fig. 43W03, S4534W08 & S4636W08 3000# Butt Weld Outlet Sch 80 Bore

Size in	Steel	Part Number		A in	Master	Weight lb
		304 / 304L	316 / 316L			
1/4 x 3/8 thru 36	-	S4534WO8002	S4536WO8002	0.62	200	0.8
3/8 x 1/2 thru 36	-	S4534WO8003	S4536WO8003	0.75	150	0.1
1/2 x 1	43WO3004010	-	-	0.75	150	0.3
1/2 x 1-1/4 thru 36	43WO3004012360	S4534WO8004	S4536WO8004	0.75	150	0.3
3/4 x 1 thru 2	43WO3006010020	-	-	0.88	100	0.3
3/4 x 2-1/2 thru 36	43WO3006024360	S4534WO8006	S4536WO8006	0.88	100	0.3
1 x 1-1/4 thru 1-1/2	43WO3010012014	-	-	1.06	50	0.6
1 x 2 thru 36	43WO3010020360	S4534WO8010	S4536WO8010	1.06	50	0.6
1-1/4 x 1-1/2 thru 2	43WO3012014020	-	-	1.25	40	0.9
1-1/4 x 2-1/2 thru 6	43WO3012024060	-	-	1.25	40	0.9
1-1/4 x 8 thru 36	43WO3012080360	S4534WO8012	S4536WO8012	1.25	40	0.9
1-1/2 x 2 thru 3-1/2	43WO3014020034	-	-	1.31	25	1.4
1-1/2 x 4 thru 36	43WO3014040360	S4534WO8014	S4536WO8014	1.31	25	1.4
2 x 2-1/2 thru 3	43WO3020024030	-	-	1.50	15	2.3
2 x 3-1/2 thru 6	43WO3020034060	-	-	1.50	15	2.3
2 x 8 thru 36	43WO3020080360	S4534WO8020	S4536WO8020	1.50	15	2.3
2-1/2 x 5 thru 10	43WO3024050100	-	-	1.62	10	2.9
2-1/2 x 12 thru 36	43WO3024120360	S4534WO8024	S4536WO8024	1.62	10	2.3
3 x 5 thru 6	43WO3030050060	-	-	1.75	6	4.3
3 x 8 thru 14	43WO3030080140	-	-	1.75	6	4.3
3 x 16 thru 36	43WO3030160360	S4534WO8030	S4536WO8030	1.75	6	4.3
4 x 8 thru 10	43WO3040080100	-	-	2.00	3	7.1
4 x 12 thru 20	43WO3040120200	-	-	2.00	3	7.1
4 x 22 thru 36	43WO3040220360	-	-	2.00	3	7.1



SCI ProPak™ System

FORGED