

MANUAL BUTTERFLY VALVES

FEATURES:

- 100% hydraulic tested / 100% inspected
- Field serviceable (no special tools required)
- Vacuum rating: 0.4 inches Hg at 68°F
- Low resistance to flow
- Bi-directional flow
- Polyacetal bushings for the valve disc for reduced friction and increased life cycle
- All wetted surfaces are 32Ra minimum
- Lockout/Tagout handle (trigger handle only)



OPTIONS:

MATERIAL:	304 or 316L forged stainless steel body and disc
SEAT:	<ul style="list-style-type: none"> » EPDM (standard) » Silicone » FKM
HANDLE:	<ul style="list-style-type: none"> » 12-position stainless steel trigger handle » 12-position black plastic trigger handle » 4-position pull handle
CONNECTION:	<ul style="list-style-type: none"> » Stocked with clamp ends » Butt weld and other end connections available upon request

SPECIFICATIONS:

Information below based on water media at 68°F/20°C

SIZE	BREAK TORQUE (in. lbs.)*			PRESSURE RATING (psi)	FLOW COEFFICIENT	WEIGHT (LBS.)		
	Silicone	EPDM	FKM			STEEL TRIGGER	PLASTIC TRIGGER	PULL HANDLE
1"	20	75	70	160	23	3.57	3.015	3.06
1-1/2"	40	130	125	160	80	3.45	2.9	2.9
2"	55	165	175	160	230	4.23	3.655	3.65
2-1/2"	70	210	220	140	264	4.71	4.12	4.14
3"	165	350	310	140	372	5.5	4.95	4.99
4"	350	540	450	140	800	8.04	7.48	7.82
6"	700	1550	750	110	1200	17.2	N/A	16.54
8"	520	680	550	110	2110	N/A	N/A	28.4

* Torque required to fully open and close valve

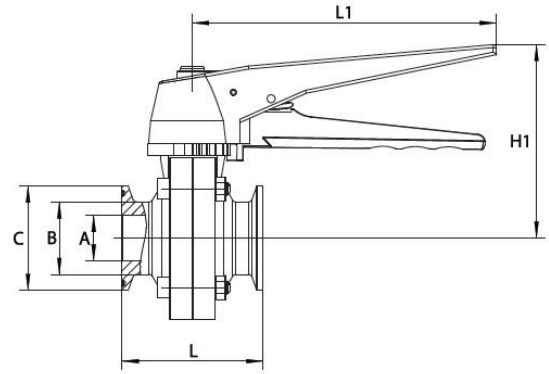
TEMPERATURE RATING:

SEAT MATERIAL	MIN. MAX TEMPERATURE	RECOMMENDED OPERATING RANGE
EPDM	-40° - 266°F	-4° - 230°F
FKM	-4° - 392°F	-4° - 302°F
SILICONE	-76° - 392°F	-13° - 284°F

DIMENSIONS:

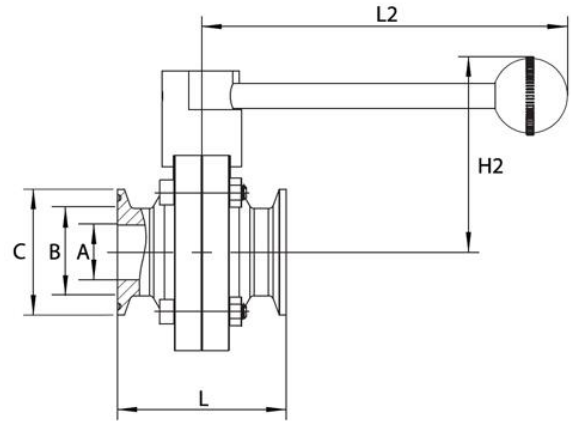
TRIGGER HANDLE WITH CLAMP ENDS

SIZE	A	B	C	L	L1	H1
1"	0.870	1.000	1.988	2.677	6.299	3.583
1-1/2"	1.370	1.500	1.988	2.756	6.299	3.780
2"	1.870	2.000	2.520	2.992	6.299	3.858
2-1/2"	2.370	2.500	3.051	3.307	6.299	4.213
3"	2.870	3.000	3.583	3.307	6.299	4.528
4"	3.835	4.000	4.685	3.622	6.299	4.921
6"	5.780	6.000	6.575	4.331	8.268	6.299



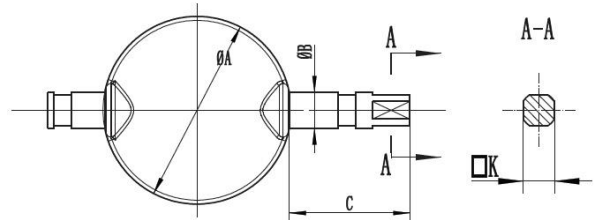
PULL HANDLE WITH CLAMPS

SIZE	A	B	C	L	L2	H2
1"	0.870	1.000	1.988	2.677	5.118	3.031
1-1/2"	1.370	1.500	1.988	2.756	5.118	3.150
2"	1.870	2.000	2.520	2.992	5.118	3.465
2-1/2"	2.370	2.500	3.051	3.307	5.905	3.740
3"	2.870	3.000	3.583	3.307	5.905	4.016
4"	3.835	4.000	4.685	3.622	6.299	4.685
6"	5.780	6.000	6.575	4.331	8.465	6.299
8"	7.779	8.000	8.559	3.543	11.181	7.028



BUTTERFLY VALVE DISC & STEM DIMENSIONS

SIZE	K	ØA	ØB	C
1"	0.315	0.906	0.394	1.575
1-1/2"	0.315	1.378	0.394	1.457
2"	0.315	1.890	0.394	1.535
2-1/2"	0.394	2.362	0.472	1.457
3"	0.394	2.835	0.472	1.575
4"	0.394	3.937	0.472	1.575
6"	0.551	5.906	0.669	2.165
8"	0.630	7.874	0.787	2.047





**CLAMP END BUTTERFLY VALVE WITH 12 POSITION STAINLESS STEEL TRIGGER HANDLE
BFVTC-TS**

SIZE	EDPM SEATS*		SILICONE SEATS		FKM SEATS	
	304	316L	304	316L	304	316L
1"	B4BFVTC-E-1-TS	B6BFVTC-E-1-TS	B4BFVTC-S-1-TS	B6BFVTC-S-1-TS	B4BFVTC-V-1-TS	B6BFVTC-V-1-TS
1-1/2"	B4BFVTC-E-15-TS	B6BFVTC-E-15-TS	B4BFVTC-S-15-TS	B6BFVTC-S-15-TS	B4BFVTC-V-15-TS	B6BFVTC-V-15-TS
2"	B4BFVTC-E-2-TS	B6BFVTC-E-2-TS	B4BFVTC-S-2-TS	B6BFVTC-S-2-TS	B4BFVTC-V-2-TS	B6BFVTC-V-2-TS
2-1/2"	B4BFVTC-E-25-TS	B6BFVTC-E-25-TS	B4BFVTC-S-25-TS	B6BFVTC-S-25-TS	B4BFVTC-V-25-TS	B6BFVTC-V-25-TS
3"	B4BFVTC-E-3-TS	B6BFVTC-E-3-TS	B4BFVTC-S-3-TS	B6BFVTC-S-3-TS	B4BFVTC-V-3-TS	B6BFVTC-V-3-TS
4"	B4BFVTC-E-4-TS	B6BFVTC-E-4-TS	B4BFVTC-S-4-TS	B6BFVTC-S-4-TS	B4BFVTC-V-4-TS	B6BFVTC-V-4-TS
6"	--	B6BFVTC-E-6-TS	--	B6BFVTC-S-6-TS	--	B6BFVTC-V-6-TS

* VALVE COMES STANDARD WITH EPDM SEAT

*12 POSITION TRIGGER HANDLE



**CLAMP END BUTTERFLY VALVE WITH 12 POSITION PLASTIC TRIGGER HANDLE
BFVTC-TP**

SIZE	EDPM SEATS*		SILICONE SEATS		FKM SEATS	
	304	316L	304	316L	304	316L
1"	B4BFVTC-E-1-TP	B6BFVTC-E-1-TP	B4BFVTC-S-1-TP	B6BFVTC-S-1-TP	B4BFVTC-V-1-TP	B6BFVTC-V-1-TP
1-1/2"	B4BFVTC-E-15-TP	B6BFVTC-E-15-TP	B4BFVTC-S-15-TP	B6BFVTC-S-15-TP	B4BFVTC-V-15-TP	B6BFVTC-V-15-TP
2"	B4BFVTC-E-2-TP	B6BFVTC-E-2-TP	B4BFVTC-S-2-TP	B6BFVTC-S-2-TP	B4BFVTC-V-2-TP	B6BFVTC-V-2-TP
2-1/2"	B4BFVTC-E-25-TP	B6BFVTC-E-25-TP	B4BFVTC-S-25-TP	B6BFVTC-S-25-TP	B4BFVTC-V-25-TP	B6BFVTC-V-25-TP
3"	B4BFVTC-E-3-TP	B6BFVTC-E-3-TP	B4BFVTC-S-3-TP	B6BFVTC-S-3-TP	B4BFVTC-V-3-TP	B6BFVTC-V-3-TP
4"	B4BFVTC-E-4-TP	B6BFVTC-E-4-TP	B4BFVTC-S-4-TP	B6BFVTC-S-4-TP	B4BFVTC-V-4-TP	B6BFVTC-V-4-TP



**CLAMP END BUTTERFLY VALVE WITH 4-POSITION PULL HANDLE
BFVTC-PH**

SIZE	EDPM SEATS*		SILICONE SEATS		FKM SEATS	
	304	316L	304	316L	304	316L
1"	B4BFVTC-E-1-PH	B6BFVTC-E-1-PH	B4BFVTC-S-1-PH	B6BFVTC-S-1-PH	B4BFVTC-V-1-PH	B6BFVTC-V-1-PH
1-1/2"	B4BFVTC-E-15-PH	B6BFVTC-E-15-PH	B4BFVTC-S-15-PH	B6BFVTC-S-15-PH	B4BFVTC-V-15-PH	B6BFVTC-V-15-PH
2"	B4BFVTC-E-2-PH	B6BFVTC-E-2-PH	B4BFVTC-S-2-PH	B6BFVTC-S-2-PH	B4BFVTC-V-2-PH	B6BFVTC-V-2-PH
2-1/2"	B4BFVTC-E-25-PH	B6BFVTC-E-25-PH	B4BFVTC-S-25-PH	B6BFVTC-S-25-PH	B4BFVTC-V-25-PH	B6BFVTC-V-25-PH
3"	B4BFVTC-E-3-PH	B6BFVTC-E-3-PH	B4BFVTC-S-3-PH	B6BFVTC-S-3-PH	B4BFVTC-V-3-PH	B6BFVTC-V-3-PH
4"	B4BFVTC-E-4-PH	B6BFVTC-E-4-PH	B4BFVTC-S-4-PH	B6BFVTC-S-4-PH	B4BFVTC-V-4-PH	B6BFVTC-V-4-PH
6"	--	B6BFVTC-E-6-PH	--	B6BFVTC-S-6-PH	--	B6BFVTC-V-6-PH
8"	--	B6BFVTC-E-8-PH	--	B6BFVTC-S-8-PH	--	B6BFVTC-V-8-PH

* VALVE COMES STANDARD WITH EPDM SEAT