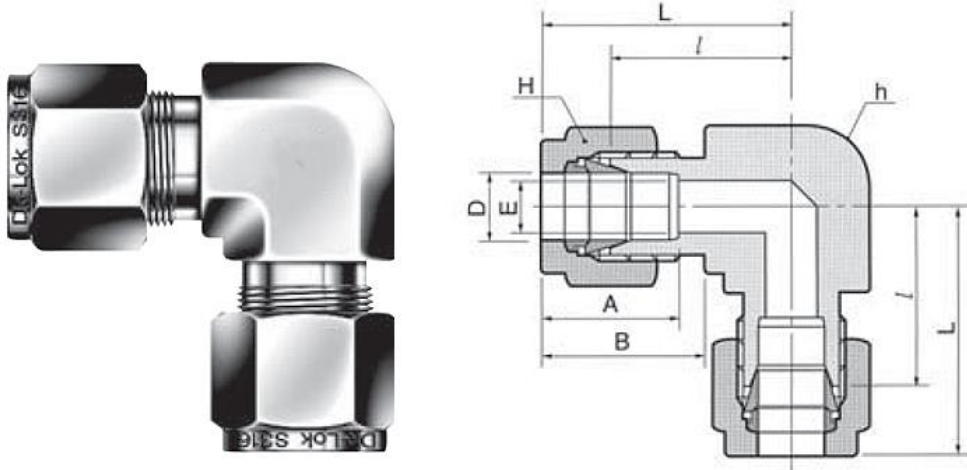


# TUBE UNION ELBOWS UE



Connects fractional tube  
Classification: Tube to Tube Union Fitting

Part Number	Tube O.D. (D)		E Min.	Width Across Flat				A	B	l	L
	in.	mm.		h		H					
				in.	mm.	in.	mm.				
30-UE-1/16	1/16	1.59	1.27	3/8	9.52	5/16	7.93	8.63	10.92	14.00	17.88
30-UE-1/8	1/8	3.17	2.28	3/8	9.52	7/16	11.11	12.70	15.24	15.74	22.35
30-UE-3/16	3/16	4.76	3.04	1/2	12.70	1/2	12.70	13.71	16.00	17.78	24.38
30-UE-1/4	1/4	6.35	4.82	1/2	12.70	9/16	14.28	15.24	17.78	19.55	26.92
30-UE-5/16	5/16	7.93	6.35	9/16	14.28	5/8	15.87	16.25	18.54	21.33	28.70
30-UE-3/8	3/8	9.52	7.11	5/8	15.87	11/16	17.46	16.76	19.30	23.11	30.48
30-UE-1/2	1/2	12.70	10.41	13/16	20.64	7/8	22.22	22.86	21.84	25.90	36.06
30-UE-5/8	5/8	15.87	12.70	15/16	23.81	1	25.40	24.38	21.84	28.70	38.80
30-UE-3/4	3/4	19.05	15.74	1-1/16	26.98	1-1/8	28.58	24.38	21.84	29.71	39.87
30-UE-7/8	7/8	22.22	18.28	1-3/8	34.92	1-1/4	31.75	25.90	21.84	34.54	44.70
30-UE-1	1	25.40	22.35	1-3/8	34.92	1-1/2	38.10	31.24	26.41	36.83	49.02
30-UE-1-1/4	1-1/4	31.75	27.68	1-11/16	42.86	1-7/8	47.63	41.14	38.86	44.50	66.54
30-UE-1-1/2	1-1/2	38.10	33.90	2	50.80	2-1/4	57.15	50.03	45.21	50.80	77.97
30-UE-2	2	50.80	45.97	2-3/4	69.85	3	76.20	67.56	62.73	69.80	107.18

All dimensions are in millimeters unless otherwise specified and only for reference and subject to change.