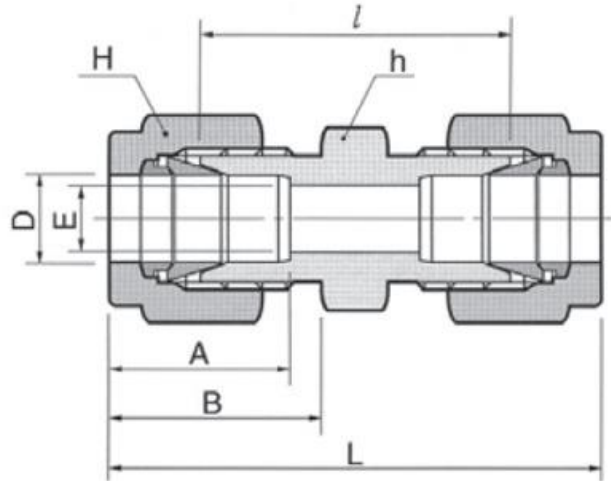


# TUBE UNIONS

## U



Connects fractional tube  
 Classification: Tube to Tube Union Fitting

Part Number	Tube O.D. (D)		E Min.	Width Across Flat				A	B	L	L
	in.	mm.		h		H					
				in.	mm.	in.	mm.				
30-U-1/16	1/16	1.59	1.27	5/16	7.93	5/16	7.93	8.63	10.92	17.50	25.15
30-U-1/8	1/8	3.17	2.28	7/16	11.11	7/16	11.11	12.70	15.24	22.35	35.56
30-U-3/16	3/16	4.76	3.04	7/16	11.11	1/2	12.70	13.71	16.00	24.13	37.33
30-U-1/4	1/4	6.35	4.82	1/2	12.70	9/16	14.28	15.24	17.78	26.16	40.89
30-U-5/16	5/16	7.93	6.35	9/16	14.28	5/8	15.87	16.25	18.54	28.19	42.92
30-U-3/8	3/8	9.52	7.11	5/8	15.87	11/16	17.46	16.76	19.30	30.22	44.95
30-U-1/2	1/2	12.70	10.41	13/16	20.64	7/8	22.22	22.86	21.84	30.98	51.30
30-U-5/8	5/8	15.87	12.70	15/16	23.81	1	25.40	24.38	21.84	31.75	52.07
30-U-3/4	3/4	19.05	15.74	1-1/16	26.98	1-1/8	28.58	24.38	21.84	33.27	53.59
30-U-7/8	7/8	22.22	18.28	1-3/16	30.16	1-1/4	31.75	25.90	21.84	35.05	55.37
30-U-1	1	25.40	22.35	1-3/8	34.92	1-1/2	38.10	31.24	26.41	40.38	64.77
30-U-1-1/4	1-1/4	31.75	27.68	1-3/4	44.45	1-7/8	47.63	41.14	38.86	48.00	92.20
30-U-1-1/2	1-1/2	38.10	33.90	2-1/8	53.97	2-1/4	57.15	50.03	45.21	53.60	107.95
30-U-2	2	50.80	45.97	2-3/4	69.85	3	76.20	67.56	62.73	74.70	149.35

All dimensions are in millimeters unless otherwise specified, for reference only and subject to change.