

3000 PSI STAINLESS STEEL BALL VALVES DATA SHEET

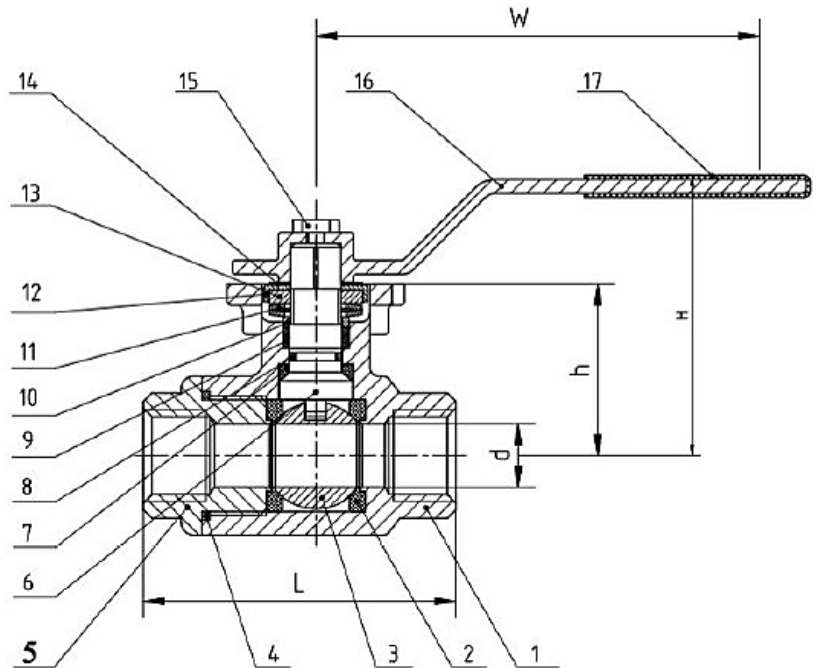
3000 PSI Ball Valve Features:

Material	316 Stainless Steel
Size	3/8" to 1"
Working Pressure	3000 PSI
Handles	304 Stainless Steel
Seal	Teflon (PTFE)
Thread	Female NPT
Temperature Rating	-25°F to 356°F

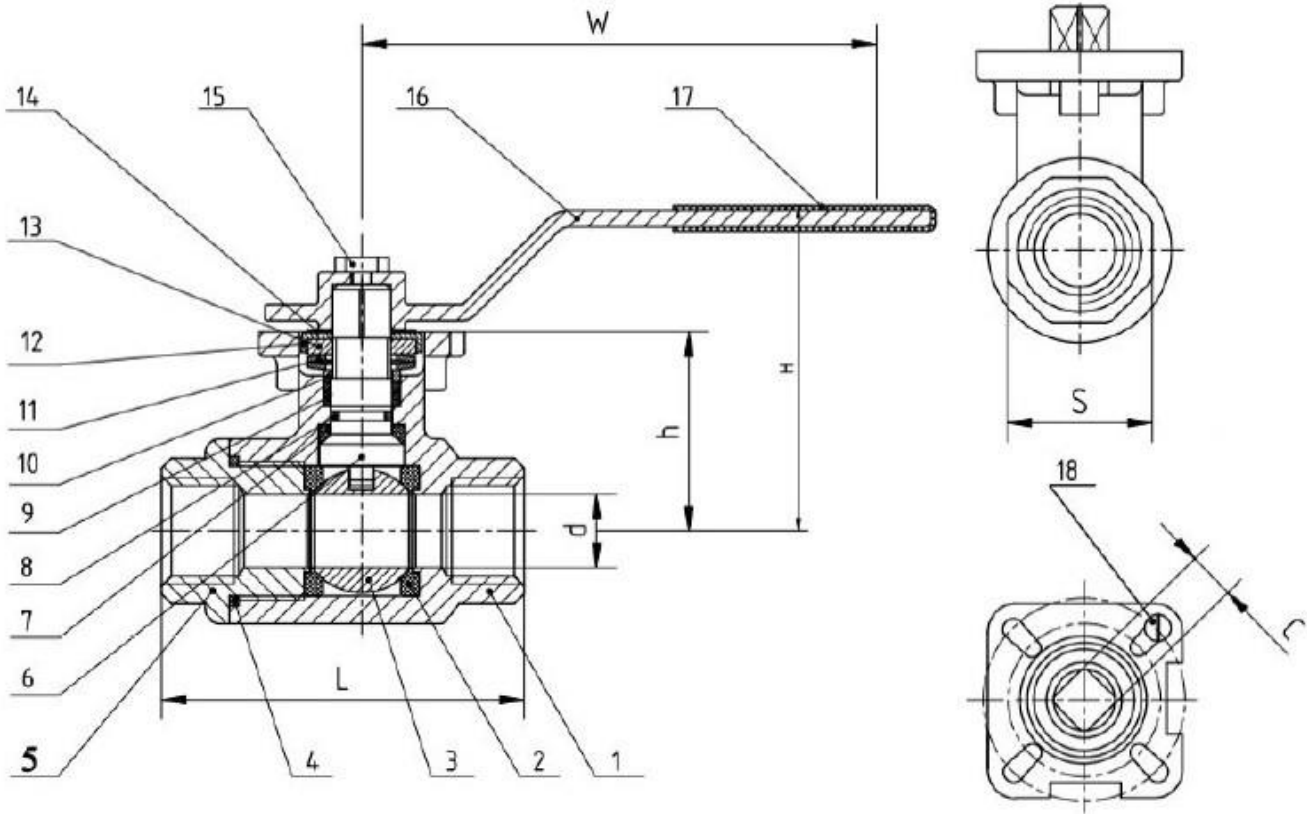


3000 PSI STAINLESS STEEL BALL VALVES VALVE MATERIAL

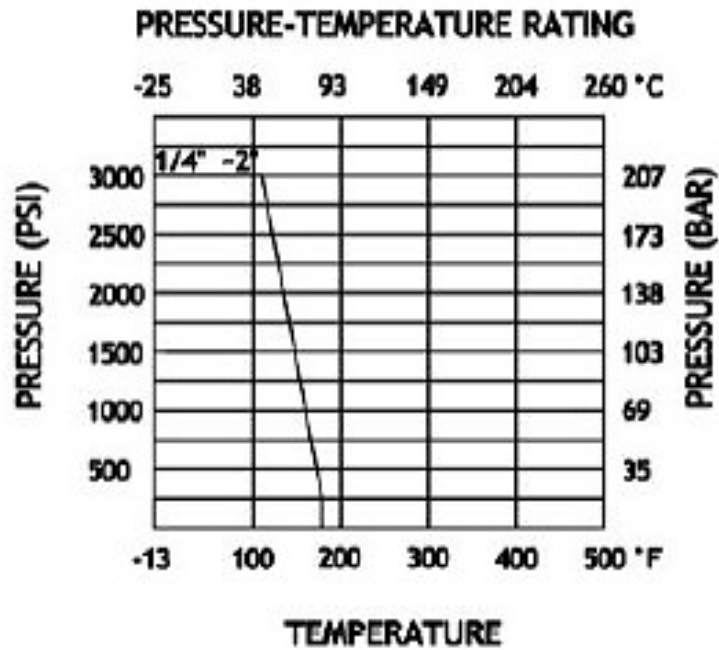
ITEM	PART	MATERIAL	QTY.
1	Body	CF8M	1
2	Ball Seat	DELRIN	2
3	Ball	SS316	1
4	Body Gasket	R-PTFE(15%)	1
5	Cap	CF8M	1
6	Stem	SS316	1
7	Thrust Washer	R-PTFE(15%)	1
8	O- Ring	VITON	1
9	Stem Packing	R-PTFE(15%)	1
10	Packing Ring	SS304	1
11	Belleville Washer	SS301	2
12	Nut Stopper	SS304	1
13	Nut	SS304	2
14	Plate Washer	SS304	2
15	Bolt	SS304	1
16	Handle	CF8	1
17	Plastic Cover	PLASTIC	1
18	Stop Fin	SS304	1



DIMENSIONAL DATA:



SIZE	d	L	H	h	W	C	S	ISO5211
1/4"	9.7	75	70	41	115	9	26	F03/F04
3/8"	9.7	75	70	41	115	9	26	F03/F04
1/2"	12.7	75	70	41	117	9	30	F03/F04
3/4"	17.5	81	72	43.5	117	9	38	F03/F04
1"	22.1	91	83	53.5	134	11	46	F04/F05



- **Uses:** 3000 PSI Ball Valves are Durable Extreme High Pressure Valves.
- **Description:** 2-Piece Valves, they can be serviced.
- **Advantages:** Durable Design. Extreme High Pressure. Blow Out Proof Stem Handles. Lock-able handle device.
- **Operation:** Flow is "open" when handle is parallel with valve body, and valve is "closed" when handle is perpendicular.
- **Standard Port:** Standard-Port Ball Valves for extra wall thickness.
- **Threaded:** Threaded Ball Valves allowing easily connection to any application with NPT Threads.
- **Handles:** Flat handles are easy to turn with a plastic cover for extra grip.
- **Material:** Stainless Steel 316.