

# Brass Swing Check Valve, Threaded Series 9191



## Design Features

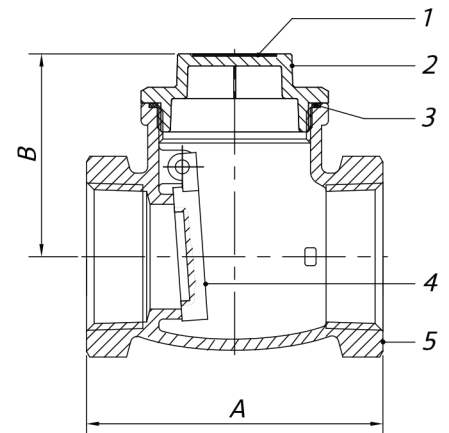
- 200 lb. CWP, 125 lb. WSP
- Cast brass body
- Forged brass disc
- Certified to NSF/ANSI 61-8
- ISO 9001:2008 manufacturer

**Note:** Product contains brass which does not meet federal and state requirements for drinking water.

**WARNING:** Cancer and Reproductive Harm - [www.P65Warnings.ca.gov](http://www.P65Warnings.ca.gov)

## Parts & Materials

No.	Part	Material
1	Name Plate	Aluminium
2	Cap	Brass ASTM B584, C85700
3	Packing	Fibre "H"
4	Disc	Brass ASTM B584, C85700
5	Body	Brass ASTM B584, C85700
6	Bolt	Brass Alloy C36000
7	Pin	Brass Alloy C37700



## Dimensions

Size	Part Number	Weight	A	B
In		Lb	In	In
3/8	BAC-535-C	0.41	2.08	1.42
1/2	BAC-535-D	0.41	2.08	1.42
3/4	BAC-535-E	0.54	2.36	1.55
1	BAC-535-F	0.74	2.62	1.77
1-1/4	BAC-535-G	1.33	3.19	2.06
1-1/2	BAC-535-H	1.65	3.54	2.16
2	BAC-535-I	2.61	4.21	2.74
2-1/2	BAC-535-J	4.50	5.14	3.10
3	BAC-535-K	6.60	5.77	3.80
4	BAC-535-L	11.40	6.84	4.25

